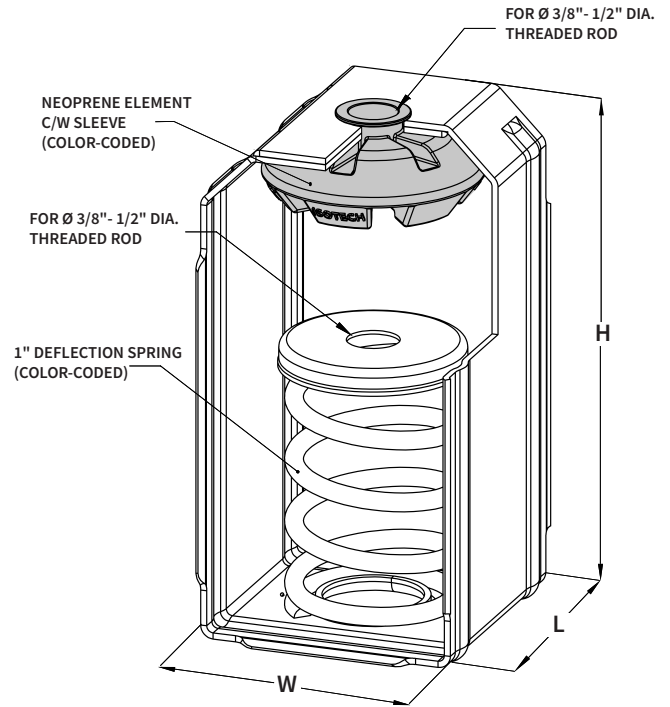


SPECIFICATIONS : IHAE-1" DEFLECTION ISOTECH SPRING HANGER IN-LINE WITH NEOPRENE ELEMENT

Model	Rated Load		Rated Deflection		Spring Color	Element Color	Approx. WT.	
	lbf.	kN	in	mm			lbs.	kg
IHAE-1-30	30	0.134	1.0	25.4	YELLOW	RED	1.55	0.71
IHAE-1-50	50	0.223	1.0	25.4	GREEN	RED	1.55	0.71
IHAE-1-100	100	0.445	1.0	25.4	BLACK	RED	1.65	0.75
IHAE-1-150	150	0.668	1.0	25.4	RED	BLUE	1.65	0.75
IHAE-1-200	200	0.89	1.0	25.4	BLUE	BLUE	1.80	0.82
IHAE-1-300	300	1.335	1.0	25.4	WHITE	BLACK	1.85	0.84
IHAE-1-400	400	1.78	1.0	25.4	BROWN	BLACK	2.00	0.91
IHAE-1-500	500	2.225	1.0	25.4	ORANGE	GREEN	2.05	0.93
IHAE-1-600	600	2.669	1.0	25.4	GREY	YELLOW	2.15	0.98

HARDWARE NOT INCLUDED - SPRING CUP: ZINC PLATED

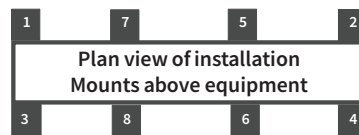


Dimension : IHAE-1" DEFLECTION ISOTECH SPRING HANGER

Model	H		W		L	
	in	mm	in	mm	in	mm
IHAE-1-30-600	5 ½	140	2 ¾	67	2 ½	64

ISOLATOR'S LOCATIONS

1:	5:
2:	6:
3:	7:
4:	8:



Notes:

- Housing is powder – coated and designed to allow 30° misalignment for hanger rod
- Neoprene Element is designed to provide up to 0.35" deflection at rated load
- Springs are powder – coated for maximum corrosion protection, and are designed to have minimum 50% over travel under rated load

PROJECT INFORMATION		EQUIPMENT INFORMATION		Canada location	USA Location
Customer:		Type:		35 Silton Road Woodbridge ON L4L 7Z8 CANADA T: 905-856-5001	3021 E Coronado St. Anaheim, CA.,92806 U.S.A T: 949-788-2930
Project:		Qty Required:			
Drawing No:		Operating Weight:			
Notes:				Tool free : 1-888-831-3311 www.isotechindustries.com	

