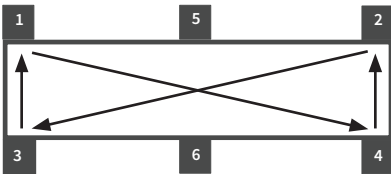
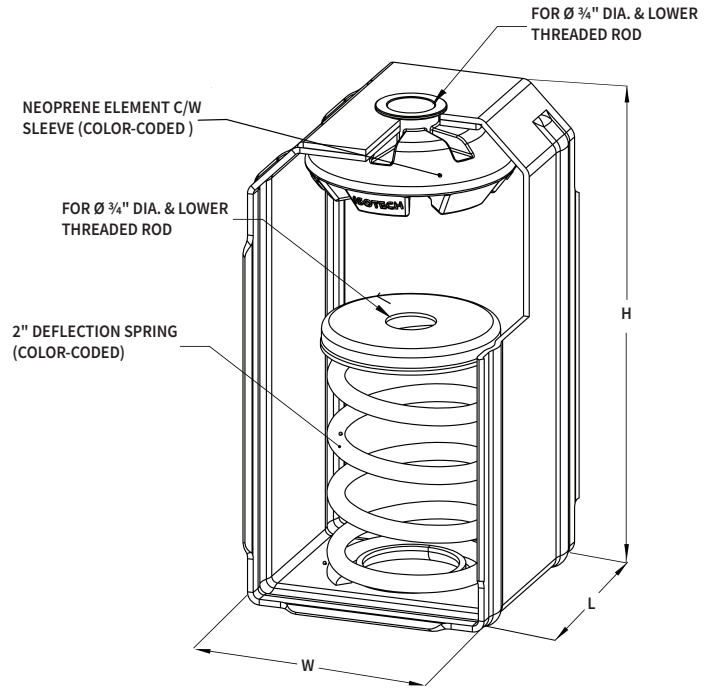


IHBE-2, 2" DEFLECTION ISOTECH SPRING HANGER INSTALLATION INSTRUCTIONS

1. Refer to submittal package prepared by ISOTECH Industries and locate each isolator based on model # and identification tag provided
2. Attach upper hanger rod to structure and secure it at the bottom of neoprene element. Leave at least 1/4" gap between isolator housing and structure
3. Mount equipment, piping or ductwork to isolator using lower hanger rod
4. Follow star pattern sequence shown below and turn **leveling nut** to level equipment once all isolators are installed



STAR PATTERN ORDER: 1, 4, 2, 3, & 1

PROJECT INFORMATION		EQUIPMENT INFORMATION		Canada location	USA Location
Customer:		Type:		35 Silton Road Woodbridge ON L4L 7Z8 CANADA T: 905-856-5001	3021 E Coronado St. Anaheim, CA.,92806 U.S.A T: 949-788-2930
Project:		Qty Required:			
Drawing No:		Operating Weight:			
Notes:				Tool free : 1-888-831-3311 www.isotechindustries.com	

