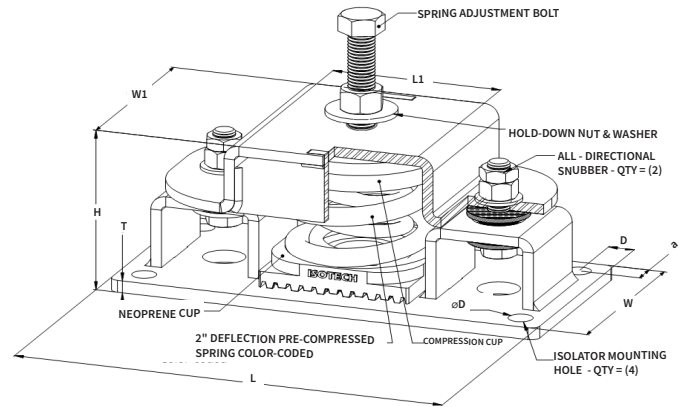
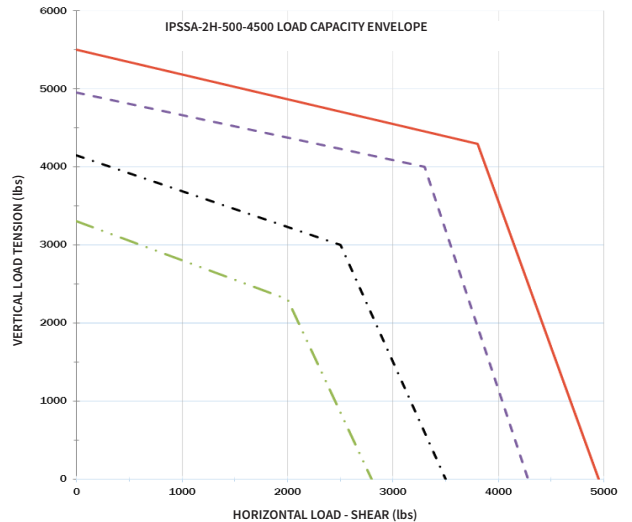


SPECIFICATIONS : IPSSA-2" DEFLECTION TO ADJUSTMENT HEAVY DUTY SEISMICALLY RATED PRE-COMPRESSED RESTRAINED SPRING ISOLATOR

Model	RATED LOAD		RATED DEFLECTION		SPRING COLOR		APPROX. WEIGHT	
	lbf.	kN	in	mm	OUTER	INNER	lbs.	kg
IPSSA-2H-500	500	2.225	2.0	50.8	RED	GREEN	23.63	10.72
IPSSA-2H-600	600	2.669	2.0	50.8	BROWN	GREY	24.10	10.94
IPSSA-2H-800	800	3.559	2.0	50.8	BLUE	---	24.00	10.89
IPSSA-2H-1000	1000	4.449	2.0	50.8	GREEN	---	24.00	10.89
IPSSA-2H-1200	1200	5.338	2.0	50.8	GREEN	ORANGE	25.10	11.39
IPSSA-2H-1500	1500	6.673	2.0	50.8	GREY	---	24.20	10.98
IPSSA-2H-1800	1800	8.007	2.0	50.8	GREY	YELLOW	25.20	11.44
IPSSA-2H-2000	2000	8.897	2.0	50.8	GREY	WHITE	25.30	11.48
IPSSA-2H-2300	2300	10.231	2.0	50.8	GREY	RED	25.45	11.55
IPSSA-2H-2500	2500	11.121	2.0	50.8	ORANGE	---	25.00	11.34
IPSSA-2H-2800	2800	12.455	2.0	50.8	ORANGE	YELLOW	26.20	11.89
IPSSA-2H-3000	3000	13.345	2.0	50.8	BLACK	---	25.00	11.34
IPSSA-2H-3500	3500	15.569	2.0	50.8	BLACK	WHITE	26.10	11.84
IPSSA-2H-3800	3800	16.904	2.0	50.8	BLACK	RED	26.20	11.89
IPSSA-2H-4000	4000	17.793	2.0	50.8	BLACK	BLUE	26.30	11.93
IPSSA-2H-4500	4500	20.017	2.0	50.8	BLACK	BROWN	26.50	12.03

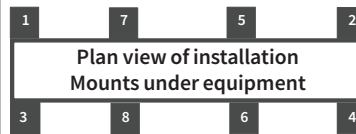


- Attached to steel Structure with (4) 5/8" bolts (Grade 5) and Nuts
- Attached to Concrete Structure with (4) 5/8" Hilti KB TZ (4" Embedment) -6" Slab
- Attached to Concrete Structure with (4) 1/2" Hilti KB TZ (3" Embedment) -4" Slab
- Attached to Concrete Structure with Hilti HY200 and (4) 5/8" Grade 5 Threaded Rod (4" Embedment) -6" Slab



MODEL					
Dimension : IPSSA-2H-500-4500					
L		L1		H	
in	mm	in	mm	in	mm
12 1/2	318	4 15/16	126	5	127
W		W1		T	
in	mm	in	mm	in	mm
6	153	6	153	3/8	10
a		D		SPRING ADJUSTMENT BOLT	
in	mm	in	mm		
3/4	20	1 1/16	18	3/4"	

ISOLATOR'S LOCATIONS	
1:	5:
2:	6:
3:	7:
4:	8:



- NOTE**
- IPSSA-2H-500-4500 isolators are all Pre-Compressed to allow the lowest overall installation height and to offer significant labor saving during installation
 - All springs have additional travel to solid equal to 50% of the Rated Deflection with minimum Kx/Ky ratio of 1.0 - All Elements are safe at solid load
 - Hot-Dip Galvanized finish for Housing to offer maximum corrosion resistance for isolator - Hardware and Spring Compression Cup are zinc-electroplated
 - Spring(s) are powder-coated to provide maximum corrosion resistance, and are color-coded for easy identification at site - see table above
 - IPSSA-2H-500-4500 isolators are designed to allow replacement of reinforced rubber snubber without disturbing equipment. Reinforced rubber snubbers are installed to prevent metal to metal contact

PROJECT INFORMATION		EQUIPMENT INFORMATION		Canada location	USA Location
Customer:		Type:		35 Silton Road Woodbridge ON L4L 7Z8 CANADA T: 905-856-5001	3021 E Coronado St. Anaheim, CA, 92806 U.S.A T: 949-788-2930
Project:		Qty Required:			
Drawing No:		Operating Weight:			
Notes:					