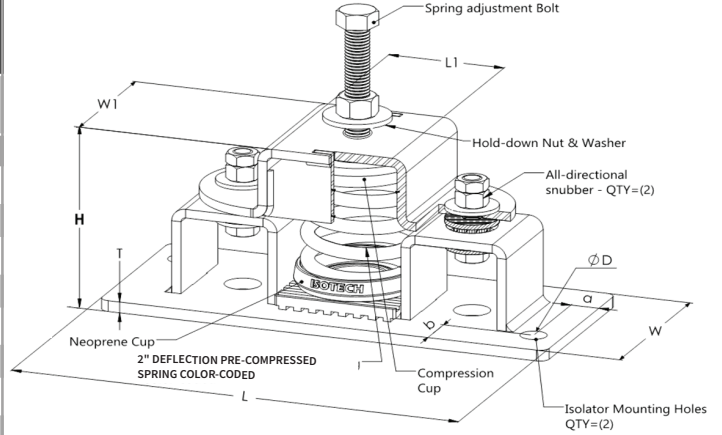


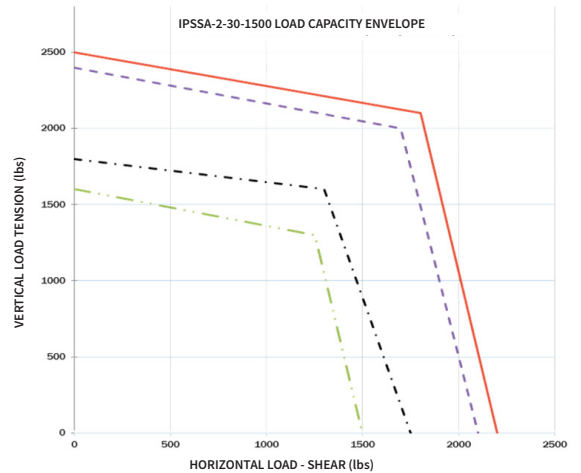
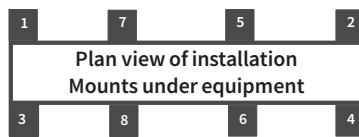
SPECIFICATIONS : IPSSA-2" DEFLECTION TOP ADJUSTMENT SEISMICALLY RATED PRE-COMPRESSED SPRING ISOLATOR SPRING							
Model	RATED LOAD		RATED DEFLECTION		SPRING COLOR	APPROX. WEIGHT	
	lb.f.	kN	in	mm		lbs.	kg
IPSSA-2-30	30	0.133	2.0	50.8	PINK	12.50	5.70
IPSSA-2-50	50	0.222	2.0	50.8	PURPLE	12.50	5.70
IPSSA-2-100	100	0.445	2.0	50.8	GREY	13.20	5.99
IPSSA-2-200	200	0.89	2.0	50.8	ORANGE	13.50	6.13
IPSSA-2-300	300	1.335	2.0	50.8	YELLOW	13.80	6.26
IPSSA-2-400	400	1.78	2.0	50.8	GREEN	14.00	6.36
IPSSA-2-500	500	2.225	2.0	50.8	WHITE	14.00	6.36
IPSSA-2-600	600	2.669	2.0	50.8	BLACK	14.00	6.36
IPSSA-2-800	800	3.559	2.0	50.8	RED	14.20	6.45
IPSSA-2-1000	1000	4.449	2.0	50.8	BLUE	14.50	6.58
IPSSA-2-1500	1500	6.673	2.0	50.8	BROWN	14.50	6.58



- Attached to steel Structure with (2) 5/8" bolts (Grade 5) and Nuts
- Attached to Concrete Structure with (2) 5/8" Hilti KB TZ (4" Embedment) -6" Slab
- Attached to Concrete Structure with (2) 1/2" Hilti KB TZ (3" Embedment) -4" Slab
- Attached to Concrete Structure with Hilti HY200 and (2) 5/8" Grade 5 Threaded Rod (4" Embedment) -6" Slab

MODEL					
DIMENSION : IPSSA-2-30-1500					
L		L1		H	
in	mm	in	mm	in	mm
12	305	3	77	5	127
W		W1		T	
in	mm	in	mm	in	mm
5	127	4	102	5/16	8
a		b		D	
in	mm	in	mm	in	mm
3/4	20	1 1/8	29	1 1/16	18
ADJUSTMENT BOLT					
5/8"					

ISOLATOR'S LOCATIONS			
1:		5:	
2:		6:	
3:		7:	
4:		8:	



- NOTE:**
- IPSSA-2-30-1500 isolators are all Pre-Compressed to allow the lowest overall installation height and to offer significant labor saving during installation
  - All springs have additional travel to solid equal to 50% of the Rated Deflection with minimum Kx/Ky ratio of 1.0 - All Elements are safe at solid load
  - Hot-Dip Galvanized finish for Housing to offer maximum corrosion resistance for isolator - Hardware and Spring Compression Cup are zinc-electroplated
  - Spring is powder - coated to provide maximum corrosion resistance, and are color-coded for easy identification at site - see table above
  - IPSSA-2-30-1500 isolators are designed to allow replacement of reinforced rubber snubber without disturbing equipment. Reinforced rubber snubbers are installed to prevent metal to metal contact

PROJECT INFORMATION		EQUIPMENT INFORMATION		Canada location	USA Location
Customer:		Type:		35 Silton Road Woodbridge ON L4L 7Z8 CANADA T: 905-856-5001	3021 E Coronado St. Anaheim, CA, 92806 U.S.A T: 949-788-2930
Project:		Qty Required:			
Drawing No:		Operating Weight:			
Notes:				Tool free : 1-888-831-3311 www.isotechindustries.com	