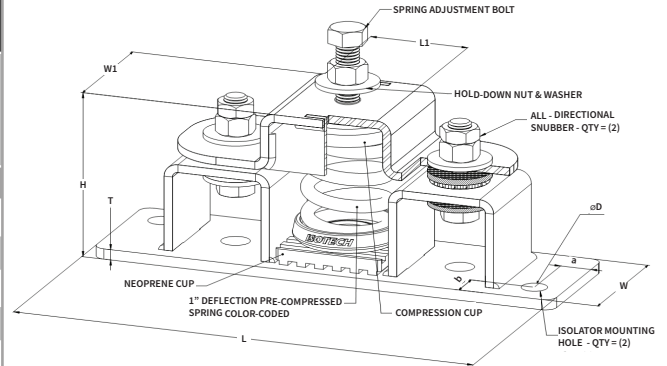
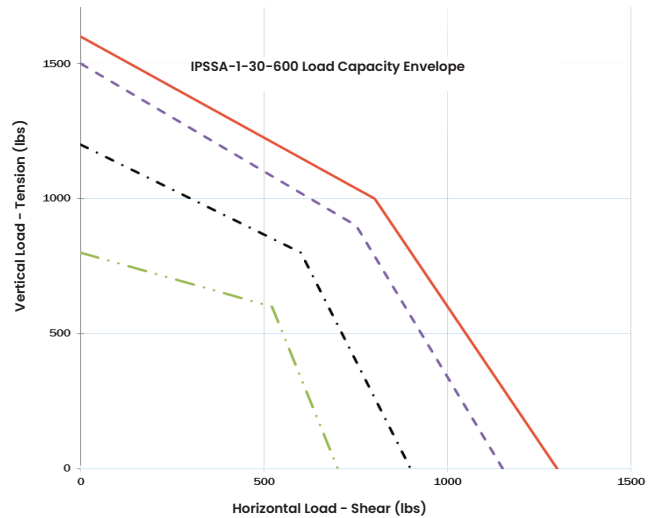


## SPECIFICATIONS : IPSSA-1" DEFLECTION SEISMICALLY RATED PRE-COMPRESSED RESTRAINED SPRING

Model	RATED LOAD		RATED DEFLECTION		SPRING COLOR	APPROX. WEIGHT	
	lbf.	kN	in	mm		lbs.	kg
IPSSA-1-30	30	0.134	1.0	50.8	YELLOW	13.20	5.99
IPSSA-1-50	50	0.223	1.0	50.8	GREEN	13.50	6.13
IPSSA-1-100	100	0.445	1.0	50.8	BLACK	13.80	6.26
IPSSA-1-150	150	0.668	1.0	50.8	RED	14.00	6.36
IPSSA-1-200	200	0.89	1.0	50.8	ORANGE OR BLUE	14.00	6.36
IPSSA-1-300	300	1.335	1.0	50.8	YELLOW OR WHITE	14.00	6.36
IPSSA-1-400	400	1.78	1.0	50.8	BROWN OR GREEN	14.20	6.45
IPSSA-1-500	500	2.225	1.0	50.8	ORANGE	14.50	6.58
IPSSA-1-600	600	2.669	1.0	50.8	GREY	14.50	6.58

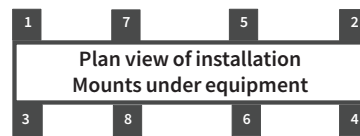


- Attached to steel Structure with (2) 1/2" bolts (Grade 5) and Nuts
- - Attached to Concrete Structure with (2) 1/2" HiTi KB TZ (3" Embedment) - 4" Slab
- Attached to Concrete Structure with (2) 3/8" HiTi KB TZ (2" Embedment) - 4" Slab
- - Attached to Concrete Structure with HiTi HY-200 and (2) 1/2" Grade 5 Threaded Rod (2" Embedment) - 4" Slab



Model					
DIMENSION : IPSSA-1-30-600					
L		L1		H	
in	mm	in	mm	in	mm
10 3/8	264	2 1/4	58	4	102
W		W1		T	
in	mm	in	mm	in	mm
3	77	3	77	1/4	7
a		b		D	
in	mm	in	mm	in	mm
1 1/16	18	3/4	19	1/16	15
ADJUSTMENT BOLT					
1/2"					

ISOLATOR'S LOCATIONS	
1:	5:
2:	6:
3:	7:
4:	8:



### NOTE:

- IPSSA-1-30-600 isolators are all Pre-Compressed to allow the lowest overall installation height and to offer significant labor saving during installation
- All springs have additional travel to solid equal to 50% of the Rated Deflection with minimum Kx/Ky ratio of 1.0 - All Elements are safe at solid load
- Hot-Dip Galvanized finish for Housing to offer maximum corrosion resistance for isolator - Hardware and Spring Compression Cup are zinc-electroplated
- Spring is powder-coated to provide maximum corrosion resistance, and are color-coded for easy identification at site - see table above
- IPSSA-1-30-600 isolators are designed to allow replacement of reinforced rubber snubber without disturbing equipment. Reinforced rubber snubbers are installed to prevent metal to metal contact

PROJECT INFORMATION		EQUIPMENT INFORMATION		Canada location	USA Location
Customer:		Type:		35 Siltan Road Woodbridge ON L4L 7Z8 CANADA T: 905-856-5001	3021 E Coronado St. Anaheim, CA, 92806 U.S.A T: 949-788-2930
Project:		Qty Required:			
Drawing No:		Operating Weight:			
Notes:	Tool free : 1-888-831-3311 <a href="http://www.isotechindustries.com">www.isotechindustries.com</a>				