

SPECIFICATIONS : IEZA ISOTECH EASY ANCHOR

Model	MAXIMUM CAPACITY (Lbf)	PIPE SIZE (In)	ød (in)	øD (in)	L (in)	H (in)	ANCHOR CONFIGURATION
IEZA-2.5	8000	2.5	2.875	13	48	22	1
IEZA-3	10000	3	3.5	13	48	22	1
IEZA-4	12000	4	4.5	13	48	22	1
IEZA-6	18000	6	6.625	19	48	22	2
IEZA-8	22000	8	8.625	19	48 <td 22	2	
IEZA-10	28000	10	10.75	19	48	22	2

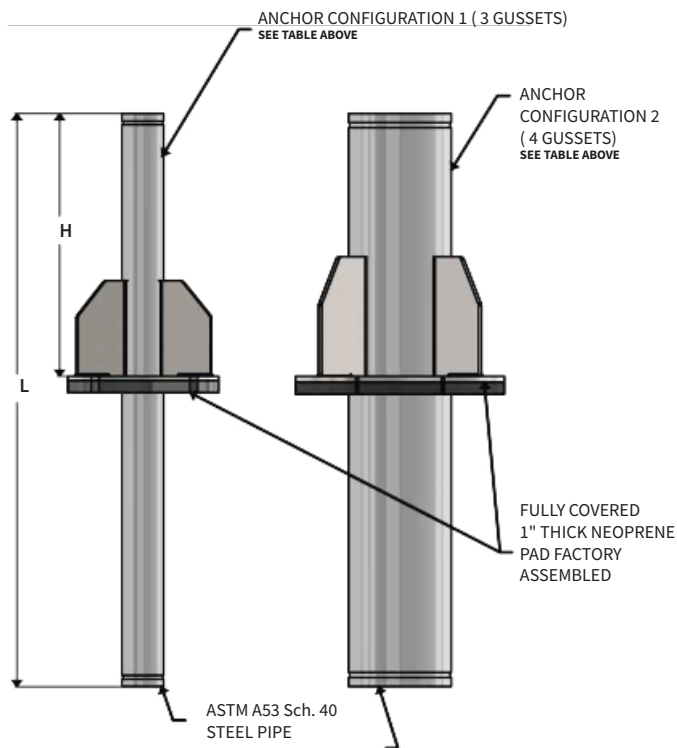


Figure 2.

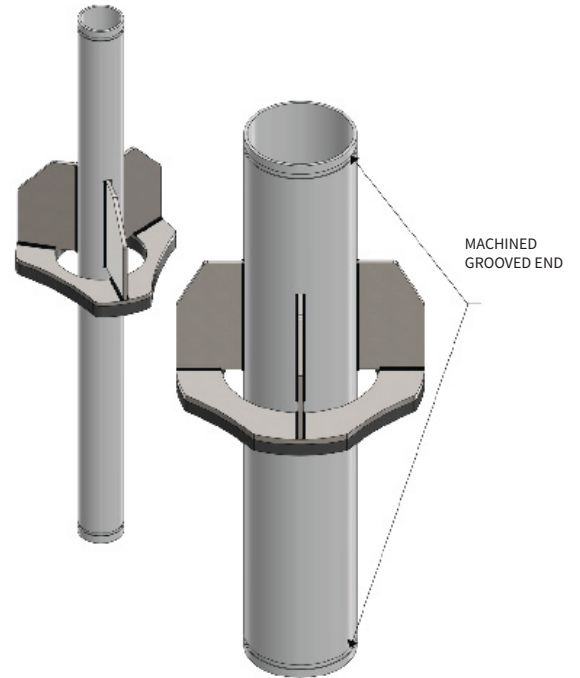
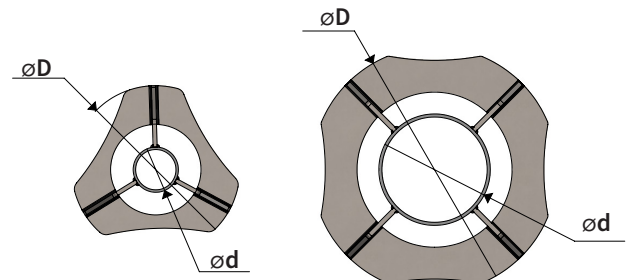


Figure 1.



Notes:

- ISOTECH Easy Anchors are designed to offer quick pipe anchor installation without welding on site
- ISOTECH Easy Anchors are designed to be installed with minimum space requirement in mechanical pipe shaft
- ISOTECH Easy Anchors are made of high strength steel to provide maximum capacity for anchoring purposes
- All steel components are welded per CSA-W59 and AWS D1.1 specifications
- Follow either Option 1 or Option 2 shown on the next page to install ISOTECH Easy Anchor on pipe riser system
- ISOTECH Easy Anchors include Neoprene Isolation pad to provide required isolation efficiency for pipe riser system
- Machined Grooved Ends are provided for attachment to standard groove fittings available in the market
- Contractor to select groove fitting to match maximum rated pressure in pipe
- Refer to table above for maximum anchor capacity for each size
- Contact factory for Weld-End or Flanged Connection options

PROJECT INFORMATION		EQUIPMENT INFORMATION		Canada location	USA Location
Customer:		Type:		35 Silton Road Woodbridge ON L4L 7Z8 CANADA T: 905-856-5001	3021 E Coronado St. Anaheim, CA.,92806 U.S.A T: 949-788-2930
Project:		Qty Required:			
Drawing No:		Operating Weight:			
Notes:				Tool free : 1-888-831-3311 www.isotechindustries.com	



PRE-ASSEMBLED CONCRETE ANCHOR OPTION 1

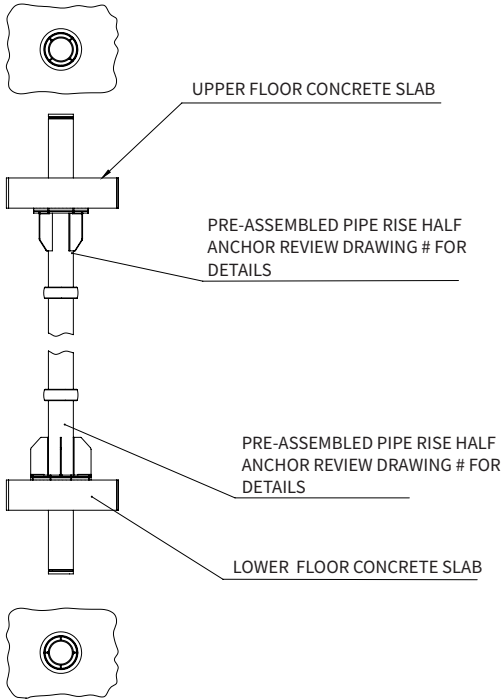


Figure 1.

PRE-ASSEMBLED CONCRETE ANCHOR OPTION 2

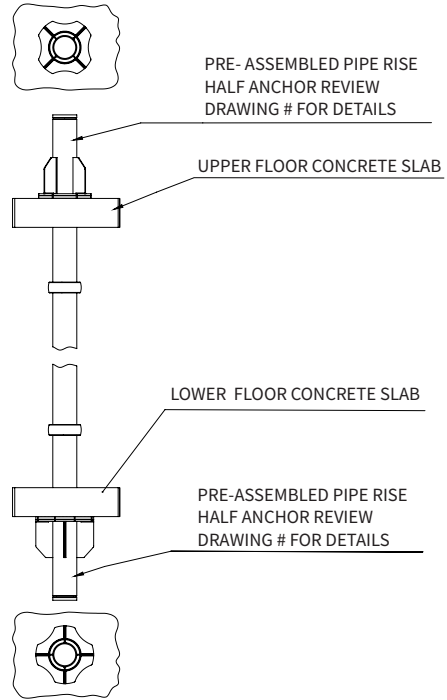


Figure 1.

PRE-ASSEMBLED CONCRETE ANCHOR OPTION 1

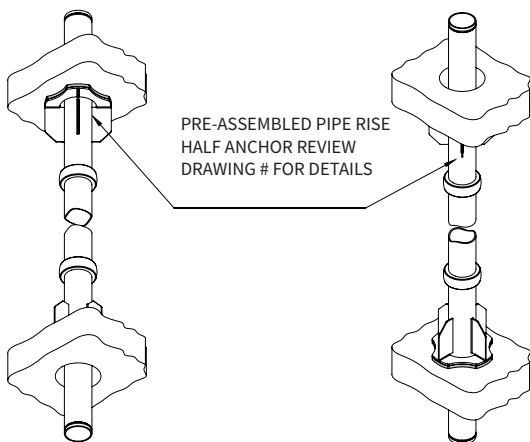


Figure 2.

PRE-ASSEMBLED CONCRETE ANCHOR OPTION 2

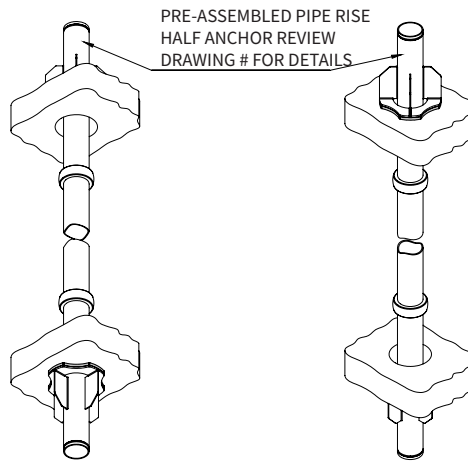


Figure 2.

PROJECT INFORMATION		EQUIPMENT INFORMATION		Canada location	USA Location
Customer:		Type:		35 Silton Road Woodbridge ON L4L 7Z8 CANADA T: 905-856-5001	3021 E Coronado St. Anaheim, CA.,92806 U.S.A T: 949-788-2930
Project:		Qty Required:			
Drawing No:		Operating Weight:			
Notes:				Tool free : 1-888-831-3311 www.isotechindustries.com	

