

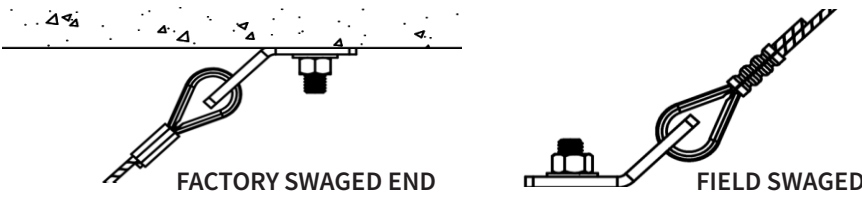
## SPECIFICATIONS : ICRS CABLE RESTRAINT SYSTEM RATINGS BASED ON CABLE BREAKING STRENGTH

Model	Cable Kit Type	Max. Rating		Cable Dia. (ØA)		Bracket Model		Approx. WT.	
		lbf.	kN	in	mm	Factory Swaged End	Field Swaged End	lbs.	kg
ICRS-2100	Standard	2100	9.3	3/16	4.76	360 Anch. Bracket	360 Anch. Bracket	4.60	2.09

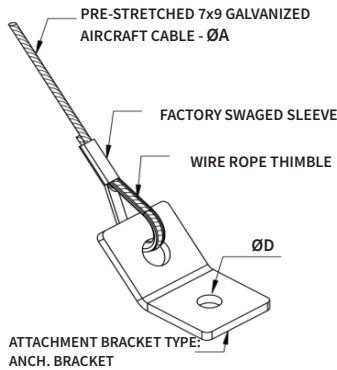
### Notes:

- Each Cable Restraint Kit includes 2 sets of 10' long Certified Pre-stretched 7x19 Galvanized Aircraft cables
- Certified Pre-stretched cables are manufactured in accordance with ASTM A1023 and MIL-83420
- Submittal package and calculation sheets must be reviewed for attachment anchor/ bolt details
- Review table for ratings are based on attachment to steel structure
- One end is Factory Swaged with Attachment Bracket for each cable assembly
- Attachment brackets are made of High Strength Specialty Grade Steel
- Attachment Brackets and hardware are Zinc Plated
- Concrete Structure to be Minimum 4000 psi

\* ICRS Cable Restraint systems are not meant to support dead load and should not be used as vertical hangers. ICRS cable restraint systems can be used to secure non-structural component to building structure and provide resisting force against seismic and wind loads



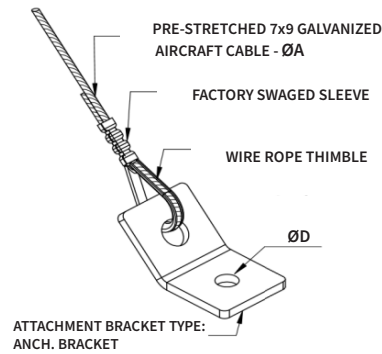
### FACTORY SWAGED END - ATTACHMENT TO BUILDING STRUCTURE BOTH STANDARD AND RETROFIT CABLE KITS



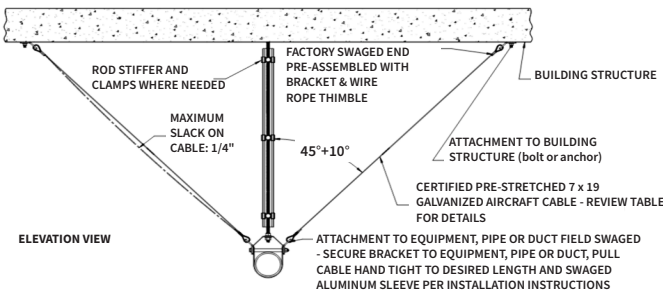
### FACTORY SWAGED END - ATTACHMENT TO EQUIPMENT, PIPE OR DUCT

OPTION: 1 CABLE ASSEMBLY WITH ANCH. BRACKET (STANDARD CABLE KIT)

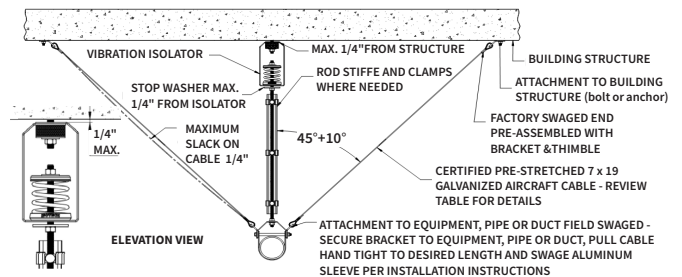
OPTION: 2 CABLE ASSEMBLY WITH RETROFIT BRACKET (STANDARD CABLE KIT)



### CABLE RESTRAINT INSTALLATION



### CABLE RESTRAINT INSTALLATION WITH VIBRATION ISOLATOR



PROJECT INFORMATION		EQUIPMENT INFORMATION		Canada location	USA Location
Customer:		Type:		35 Silton Road Woodbridge ON L4L 7Z8 CANADA T: 905-856-5001	3021 E Coronado St. Anaheim, CA, 92806 U.S.A T: 949-788-2930
Project:		Qty Required:			
Drawing No:		Operating Weight:			
Notes:				Tool free : 1-888-831-3311 <a href="http://www.isotechindustries.com">www.isotechindustries.com</a>	

