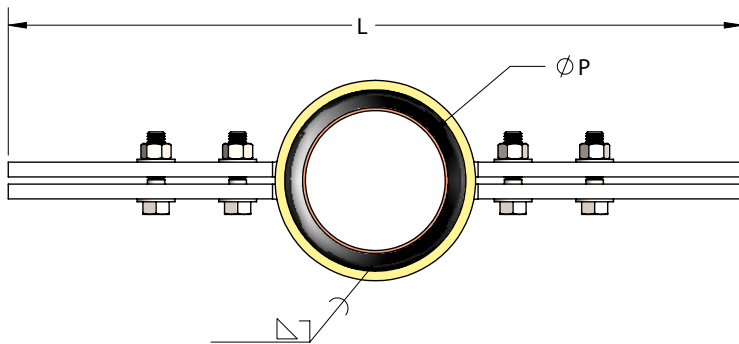
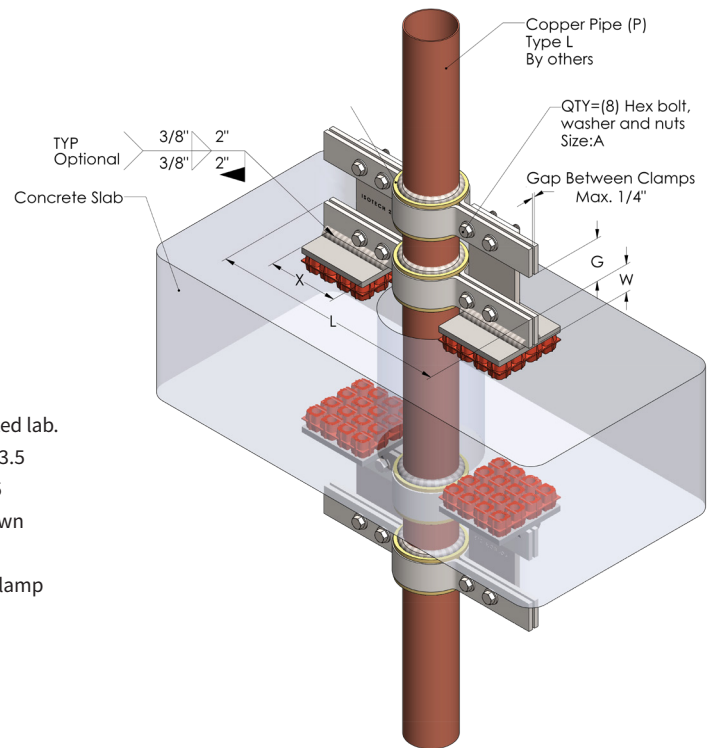


SPECIFICATIONS : ICRAH- ISOTECH COPPER PIPE ANCHORS HEAVY DUTY

| Model | Pipe Size | | A | | L | | W | | G | | Rated Capacity | |
|-----------|-----------|-----|----|----------|-----|--------|----|------|-------|------|----------------|--|
| | P (in) | in | mm | in | mm | in | mm | in | mm | lbf. | kN | |
| ICRAH-100 | 1 | 3/8 | 10 | 11 13/16 | 300 | 1 1/16 | 40 | 2.43 | 61.60 | 1040 | 4.626 | |
| ICRAH-125 | 1.25 | 3/8 | 10 | 11 13/16 | 300 | 1 1/16 | 40 | 2.43 | 61.60 | 1060 | 4.716 | |
| ICRAH-150 | 1.5 | 3/8 | 10 | 11 13/16 | 300 | 1 1/16 | 40 | 2.43 | 61.60 | 1120 | 4.982 | |
| ICRAH-200 | 2 | 3/8 | 10 | 13 3/8 | 340 | 1 1/16 | 40 | 2.43 | 61.60 | 1370 | 6.094 | |
| ICRAH-250 | 2.5 | 3/8 | 10 | 13 3/8 | 340 | 1 1/16 | 40 | 2.43 | 61.60 | 2060 | 9.164 | |
| ICRAH-300 | 3 | 1/2 | 13 | 15 3/4 | 400 | 1 1/16 | 40 | 2.93 | 74.30 | 2570 | 11.532 | |
| ICRAH-400 | 4 | 1/2 | 13 | 15 3/4 | 400 | 1 1/16 | 40 | 3.43 | 87.00 | 2800 | 12.456 | |



Use Leadfree Solder to Secure Brass Ring to Copper Pipe



Note:

- 1- Rated capacities are all based on physical testing at a third-party ISO17025 accredited lab.
- 2- Tabulated rated capacities are based on testing values divided by a safety factor of 3.5
- 3- ISOTECH Riser Clamps are made of high strength steel and hardware are all Grade 5
- 4- Use Lead-free solder to secure ISOTECH Machined Brass Ring to copper pipe as shown
- 5- Follow soldering instructions for proper installation of brass ring on copper pipe
- 6- Solder ISOTECH machined brass ring on copper pipe before adding ISOTECH riser clamp
- 7- Ensure riser clamp is rested against brass ring lip on load direction
- 8- Torque value for Grade 5 Bolt size 3/8": 30 ft. Lbs - For all clamps size 1" to 2.5"
- 9-Torque value for Grade 5 Bolt size 1/2": 60 ft. Lbs - For clamps size 3" and 4"
- 10- ISOTECH Riser Clamps Complies with MSS SP-58 and SP-69 (Type 8)
- 11- Zinc Plated finish for clamps and hardware

| PROJECT INFORMATION | | EQUIPMENT INFORMATION | | Canada location | USA Location |
|---------------------|--|-----------------------|--|--|---|
| Customer: | | Type: | | 35 Silton Road Woodbridge ON L4L 7Z8 CANADA T: 905-856-5001 | 3021 E Coronado St. Anaheim, CA, 92806 U.S.A T: 949-788-2930 |
| Project: | | Qty Required: | | | |
| Drawing No: | | Operating Weight: | | | |
| Notes: | | | | Tool free : 1-888-831-3311 www.isotechindustries.com | |

