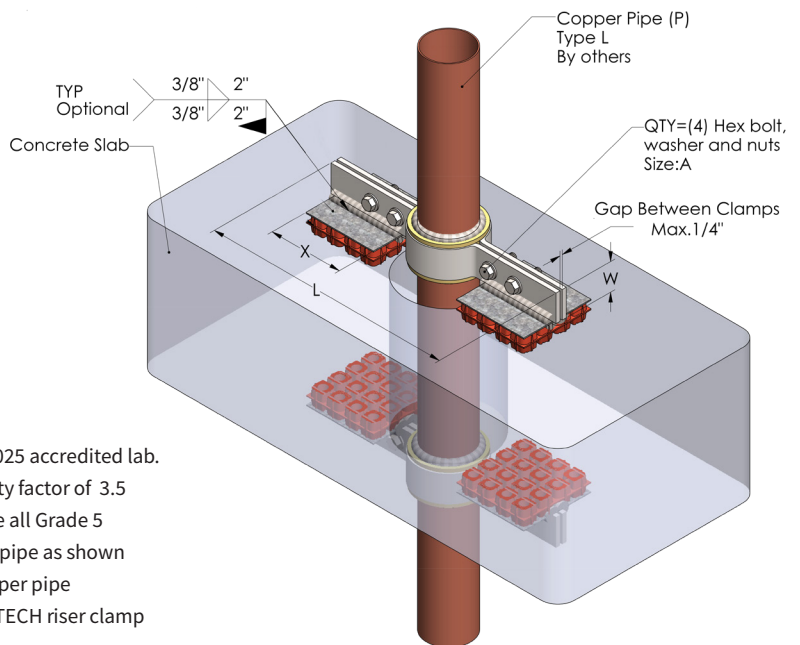
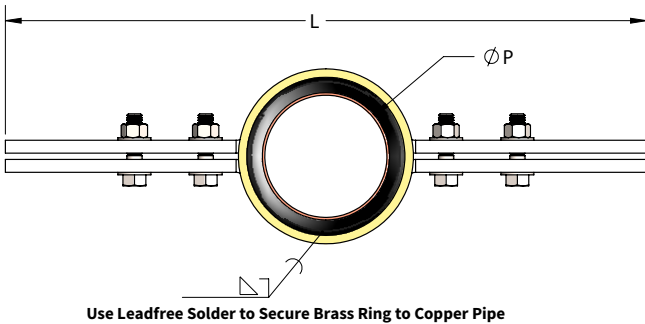


SPECIFICATIONS : ICRA- ISOTECH COPPER PIPE ANCHORS									
Model	Pipe Size	A		L		W		Rated Capacity	
	P (in)	in	mm	in	mm	in	mm	lbf.	kN
ICRA-100	1	3/8	10	11 1/16	300	1 1/16	40	520	2.313
ICRA-125	1.25	3/8	10	11 1/16	300	1 1/16	40	530	2.358
ICRA-150	1.5	3/8	10	11 1/16	300	1 1/16	40	560	2.491
ICRA-200	2	3/8	10	13 3/8	340	1 1/16	40	685	3.047
ICRA-250	2.5	3/8	10	13 3/8	340	1 1/16	40	1,030	4.582
ICRA-300	3	1/2	13	15 3/4	400	1 1/16	40	1,285	5.716
ICRA-400	4	1/2	13	15 3/4	400	1 1/16	40	1,400	6.228



Note:

- 1- Rated capacities are all based on physical testing at a third-party ISO17025 accredited lab.
- 2- Tabulated rated capacities are based on testing values divided by a safety factor of 3.5
- 3- ISOTECH Riser Clamps are made of high strength steel and hardware are all Grade 5
- 4- Use Lead-free solder to secure ISOTECH Machined Brass Ring to copper pipe as shown
- 5- Follow soldering instructions for proper installation of brass ring on copper pipe
- 6- Solder ISOTECH machined brass ring on copper pipe before adding ISOTECH riser clamp
- 7- Ensure riser clamp is rested against brass ring lip on load direction
- 8- Torque value for Grade 5 Bolt size 3/8": 30 ft. Lbs - For all clamps size 1" to 2.5"
- 9-Torque value for Grade 5 Bolt size 1/2": 60 ft. Lbs - For clamps size 3" and 4"
- 10- ISOTECH Riser Clamps Complies with MSS SP-58 and SP-69 (Type 8)
- 11- Zinc Plated finish for clamps and hardware

PROJECT INFORMATION		EQUIPMENT INFORMATION		Canada location	USA Location
Customer:		Type:		35 Silton Road Woodbridge ON L4L 7Z8 CANADA T: 905-856-5001	3021 E Coronado St. Anaheim, CA.,92806 U.S.A T: 949-788-2930
Project:		Qty Required:			
Drawing No:		Operating Weight:			
Notes:				Tool free : 1-888-831-3311 www.isotechindustries.com	

