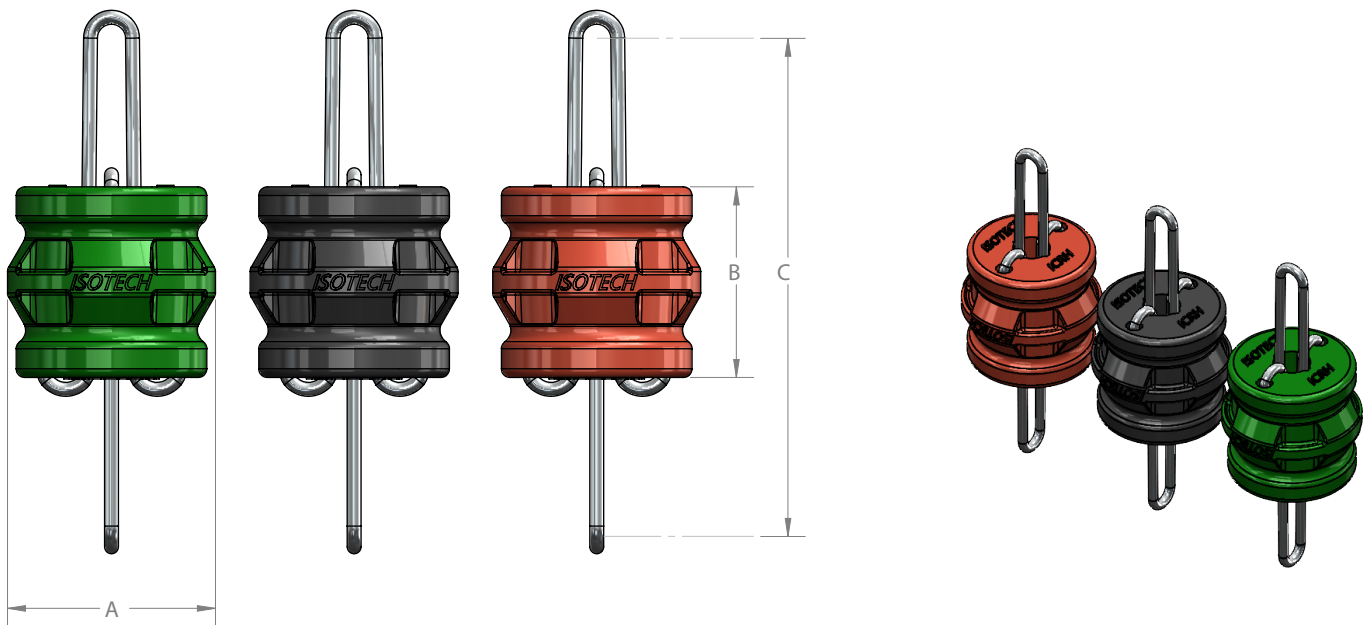


SPECIFICATION : NEOPRENE CEILING RUBBER HANGER (5MM DEFLECTION AT RATED LOAD)											
Model	RATED LOAD		DIMENSIONS						HARDWARE COLOR	APPROX. WT.	
	lbs.	kN	A		B		C			lbs.	kg
			In	mm	In	mm	In	mm			
ICRH - BLACK	50 - 110	0.22 - 0.48							BLACK		
ICRH - ORANGE	120 - 160	0.53 - 0.71	1 ½	38	1 ¾	35	3 ¾	92	ORANGE	0.145	0.065
ICRH - GREEN	170-210	0.76-0.93							GREEN		



Product includes embedded steel washers top and bottom for proper load distribution

Notes:

- ICRH neoprene ceiling rubber hangers provide vibration isolation for ceiling grids and decouples ceiling system from building structure. ICRH hangers are designed to provide 5.0 mm static deflection under the rated load and included connection wires at top and bottom for quick and easy installation
- Natural frequency of ICRH hanger under the rated load is 7Hz.

PROJECT INFORMATION		EQUIPMENT INFORMATION		Canada location	USA Location
Customer:		Type:		35 Silton Road Woodbridge ON L4L 7Z8 CANADA T: 905-856-5001	3021 E Coronado St. Anaheim, CA.,92806 U.S.A T: 949-788-2930
Project:		Qty Required:			
Drawing No:		Operating Weight:			
Notes:				Tool free : 1-888-831-3311 www.isotechindustries.com	

