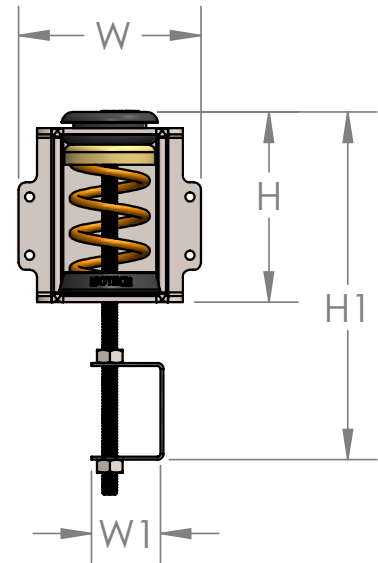


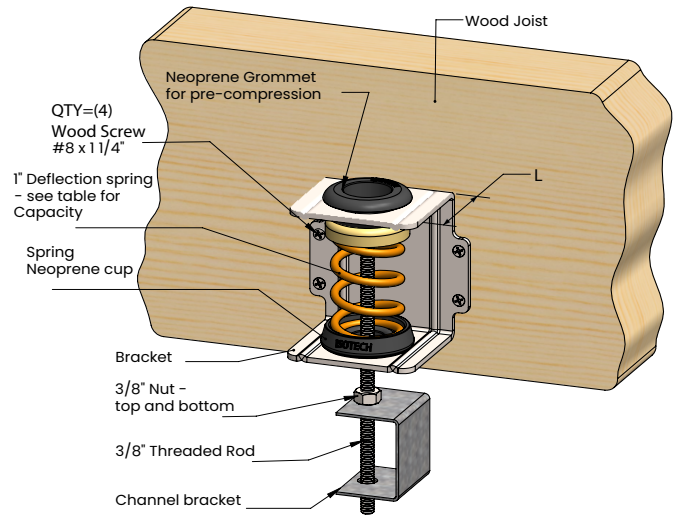
SPECIFICATIONS : IWJH-1" DEFLECTION WOOD JOIST WITH DECK SUPPORT ISOLATION HANGER

Model	RATED LOAD		RATED DEFLECTION		SPRING COLOR	APPROX. WT.	
	lbf.	kN	in	mm		lbs.	kg
IWJH-1D-15	15	0.07	1.0	25.4	GREY	1.75	0.8
IWJH-1D-30	30	0.13	1.0	25.4	BLACK	1.80	0.82
IWJH-1D-50	50	0.22	1.0	25.4	RED	1.85	0.84
IWJH-1D-75	75	0.33	1.0	25.4	WHITE	1.85	0.84
IWJH-1D-100	100	0.44	1.0	25.4	YELLOW	2.00	0.91
IWJH-1D-125	125	0.55	1.0	25.4	BLUE	2.00	0.91
IWJH-1D-150	150	0.66	1.0	25.4	ORANGE	2.00	0.91
IWJH-1D-200	200	0.89	1.0	25.4	BROWN	2.00	0.91

HARDWARE NOT INCLUDED - SPRING CUP AND BRACKET ARE ZINC PLATED



Dimension : IWJH-1" DEFLECTION WOOD JOIST WITH DECK SUPPORT ISOLATION HANGER					
L		H		H1	
in	mm	in	mm	in	mm
2 3/16	55.6	3 1/4	82.5	6	152.4
W			W1		
in	mm	in	mm	in	mm
3 3/8	70.4	1 1/4	31.8		



Notes:

- Housing is designed to allow 30° misalignment for hanger rod
- Springs are color coded and powder coated
- All springs have additional travel to solid equal to 50% of the Rated Deflection with minimum Kx/Ky ratio of 0.8 - All Elements are safe at solid load have minimum 50% over travel under rated load
- Spring is supported by Neoprene cup and is in-line with neoprene Grommet to provide maximum vibration isolation for the supported system

PROJECT INFORMATION		EQUIPMENT INFORMATION		Canada location	USA Location
Customer:		Type:		35 Siltan Road Woodbridge ON L4L 7Z8 CANADA T: 905-856-5001	3021 E Coronado St. Anaheim, CA.,92806 U.S.A T: 949-788-2930
Project:		Qty Required:			
Drawing No:		Operating Weight:			
Notes:				Tool free : 1-888-831-3311 www.isotechindustries.com	

