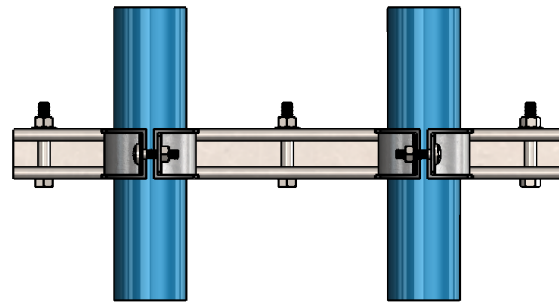
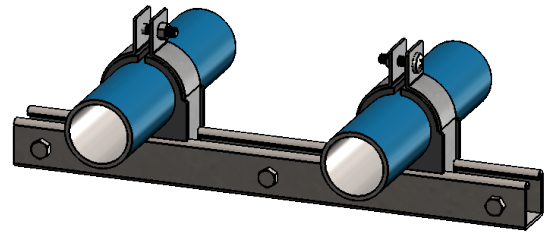
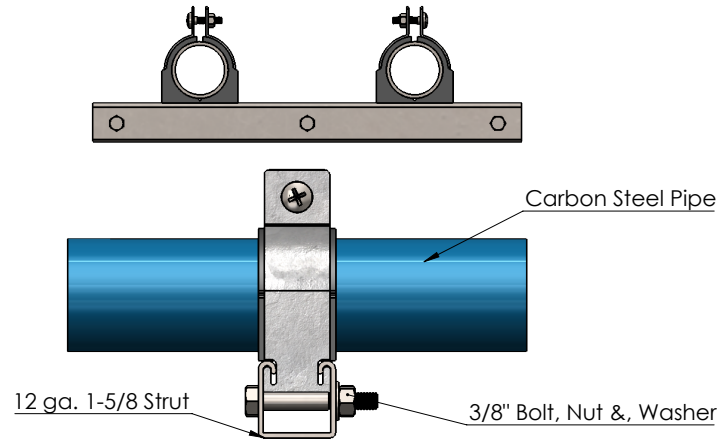
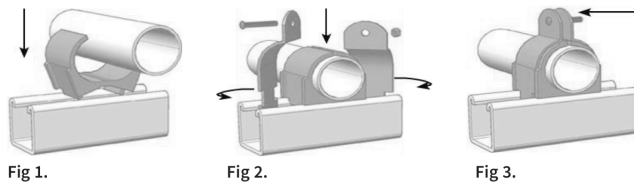
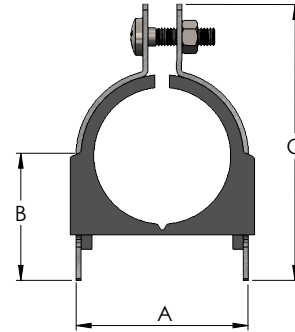


## SPECIFICATIONS : ISOTECH CARBON STEEL PIPE GUIDE FOR PIPE RISER APPLICATION MODEL IVCPGR-XXX

Model	PIPE SIZE		A		B		C	
	in	in	mm	in	mm	in	mm	
IVCPGR-100	1.0	2 1/8	53.00	2 1/8	53.00	2 3/16	65.00	
IVCPGR-125	1 1/4	2 1/8	53.90	2 1/8	53.90	2 3/16	65.00	
IVCPGR-150	1 1/2	3	76.20	3	76.20	3	69.30	
IVCPGR-200	2	3 1/8	79.30	3 1/8	79.30	3 11/16	93.20	
IVCPGR-250	2 1/2	3 3/8	92.07	3 3/8	92.07	4 1/4	107.95	



### Important Notes:

Each Pipe guide should be installed between (2) sets of 3/8" bolts, nuts and washers as shown. 3/8" Bolts must be torqued to lock galvanized clamp in strut  
 Thermoplastic cushion must snug pipe and pipe should move freely inside cushion .  
 Do not over torque pipe guide top screw to press against pip.

### Notes:

- ISOTECH IVCPGR-XXX Carbon Steel Pipe Guides are designed to allow pipe thermal growth, while preventing lateral movement during pipe expansion.
- IVCPGR-XXX includes a thermoplast elastomer to absorb shock and vibration, reduce noise and avoid galvanic corrosion.
- The TPE (thermoplastic elastomer) insert are designed with a living hinge to allow for quick installation and relocation of the cushion and pipe.
- TPE has a temperature range of -50 to 275 °F (-46 to 135 °C), will not corrode, is oil resistant and is non-conducting.
- ISOTECH IVCPGR-XXX Carbon Steel Pipe Guides are to be used with P1000 struts (1-5/8" x 1-518") as shown
- VCPGR-XXX includes electro galvanized clamp and hardware

PROJECT INFORMATION		EQUIPMENT INFORMATION		Canada location	USA Location
Customer:		Type:		35 Silton Road Woodbridge ON L4L 7Z8 CANADA T: 905-856-5001	3021 E Coronado St. Anaheim, CA.,92806 U.S.A T: 949-788-2930
Project:		Qty Required:			
Drawing No:		Operating Weight:			
Notes:				Tool free : 1-888-831-3311 www.isotechindustries.com	

