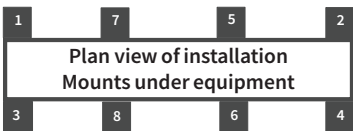


SPECIFICATIONS : ISS - ISOTECH SEISMIC SNUBBER						
Model	MAX LATERAL LOAD ALLOWED-WITHOUT NEOPRENE PADS UNDER SNUBBER		MAX LATERAL LOAD ALLOWED-WITH NEOPRENE PADS UNDER SNUBBER		APPROXIMATE WEIGHT	
	lb.f.	kN	lb.f.	kN	lbs.	kg
ISS-100-450	550	2.447	450	205	5.5	2.5
ISS-500-1000	1250	567	1000	454	6.75	3.1

Dimension : ISS ISOTECH SEISMIC SNUBBER										
Model	L1		W		H		R		A	
	in	mm	in	mm	in	mm	in	mm	in	mm
ISS-100-450	4 1/2	115	4	77	3 3/8	93	5/8	16	1 1/2	29
	L2		T		ØD					
	6 3/4	172	3/8	10	5/8		16			
ISS-500-1000	5	127	3 1/2	89	4 1/2	105	5/8	16	1 1/2	39
	L2		T		ØD					
	8	204	3/8	10	3/4		20			

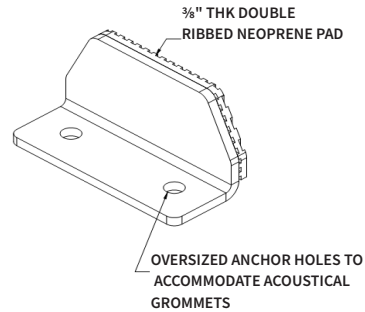
ISOLATOR'S LOCATIONS	
1:	5:
2:	6:
3:	7:
4:	8:



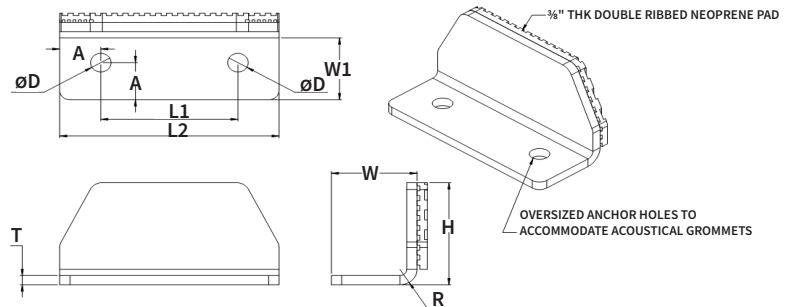
**Notes:**

- Seismic Snubbers are made of high yield/strength steel material and are designed for 1 g lateral force
- Seismic Snubbers have powder-coat finish to provide maximum corrosion resistance
- Seismic Load calculation must be performed to ensure proper selection of product

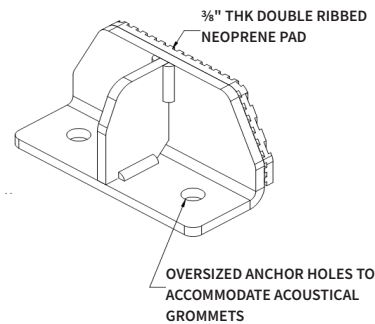
ISS-100-450



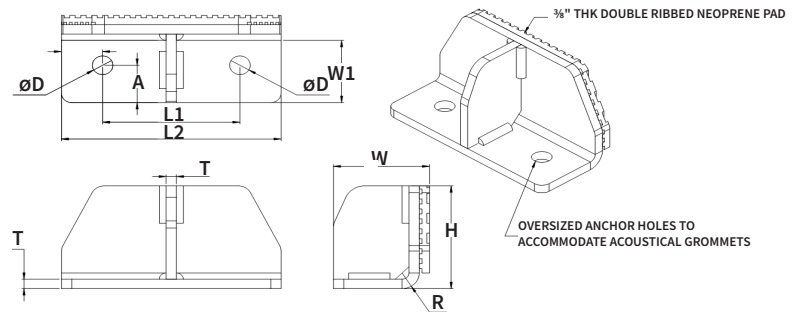
ISS-100-450




ISS-500-1000



ISS-500-1000



PROJECT INFORMATION		EQUIPMENT INFORMATION		Canada location	USA Location
Customer:		Type:		35 Siltan Road Woodbridge ON L4L 7Z8 CANADA T: 905-856-5001	3021 E Coronado St. Anaheim, CA.,92806 U.S.A T: 949-788-2930
Project:		Qty Required:		 Tool free : 1-888-831-3311 <a href="http://www.isotechindustries.com">www.isotechindustries.com</a>	
Drawing No:		Operating Weight:			
Notes:					