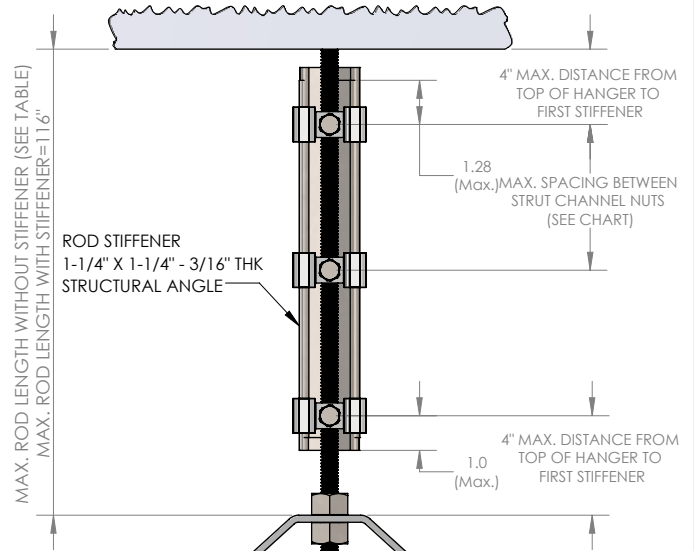
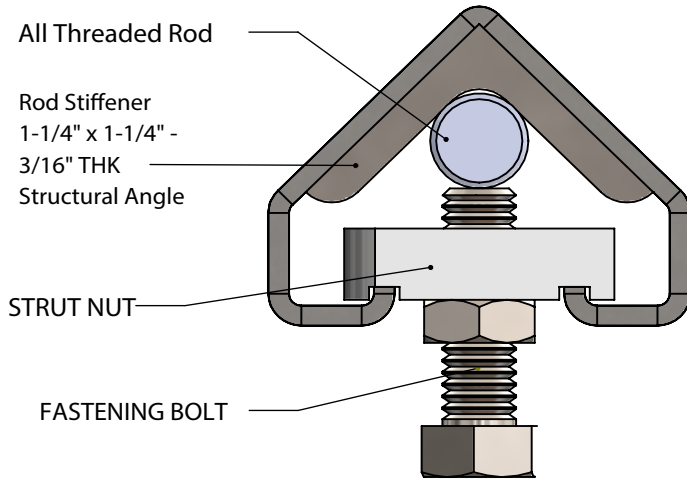


SPECIFICATIONS - ISRL-125 ROD STIFFENERS WITH STRUCTURAL ANGLE

Rod Size	Max. Rod Length Without Rod Stiffener		Max. Compression Force Without Stiffener		Max. Spacing Between Strut Channel Nuts		Max. Compression Force With Stiffener	
	in	mm	lbf.	kN	in	mm	lbf.	kN
3/8	18	457.2	410	1.82	13	330.2	1246	5.54
1/2	25	635.0	730	3.24	18	457.2	2105	9.36
5/8	31	787.4	1160	5.16	23	584.2	3187	14.17
3/4	37	939.8	1690	7.51	28	711.2	4493	19.98
7/8	43	1092.2	2320	10.32	33	838.2	6021	26.78

3/8" THRU 7/8" ROD SIZE



Note:

- 1) ROD STIFFENERS ARE REQUIRED ONLY ON VERTICAL STRUT COMPONENT OF THE SEISMIC BRACE SYSTEM ON HANGER AND TRAPEZE ASSEMBLIES THAT HAVE SEISMIC BRACING ATTACHED AT OR WITHIN 4" OF THE ROD. A MINIMUM OF TWO ROD STIFFENERS MUST BE INSTALLED.
- 2) DETAIL APPLIES TO ALL HUNG UTILITIES INCLUDING SINGLE HUNG UTILITIES, TRAPEZE HUNG UTILITIES, AND HUNG EQUIPMENT.
- 3) AN EXCEPTION IS THE USE OF TWO OPPOSING RIGID BRACES AT THE SAME LOCATION. FOR INDIVIDUALLY HUNG PIPE THE TWO OPPOSING RIGID BRACES MUST BE AT THE SAME HANGER ROD; TOTAL OF TWO (2) FOR TRANSVERSE, OR TWO (2) FOR LONGITUDINAL. FOR A TRAPEZE HANGER THE TWO OPPOSING RIGID BRACES MUST BE AT THE SAME HANGER ROD; TOTAL OF TWO (2) FOR TRANSVERSE, OR FOUR (4) FOR LONGITUDINAL. THE TWO OPPOSING BRACES MUST BE AT THE SAME ANGLE FROM HORIZONTAL AND WITHIN 5- DEGREES OF 180 DEGREES FROM EACH OTHER. IN THIS CASE NO STIFFENING OF VERTICAL ROD IS NECESSARY

PROJECT INFORMATION		EQUIPMENT INFORMATION		Canada location	USA Location
Customer:		Type:		35 Silton Road Woodbridge ON L4L 7Z8 CANADA T: 905-856-5001	3021 E Coronado St. Anaheim, CA.,92806 U.S.A T: 949-788-2930
Project:		Qty Required:			
Drawing No:		Operating Weight:			
Notes:				Tool free : 1-888-831-3311 www.isotechindustries.com	

