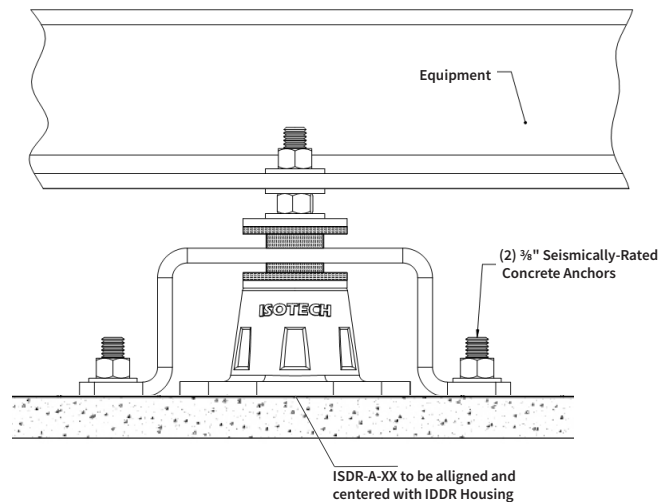
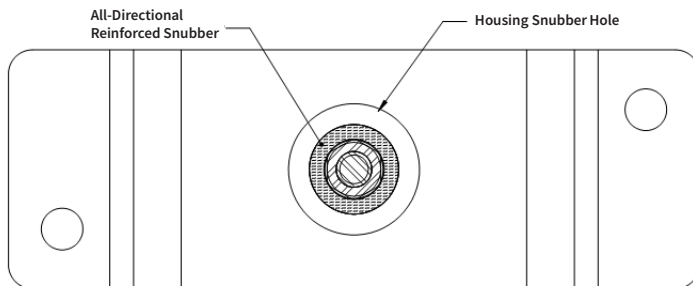
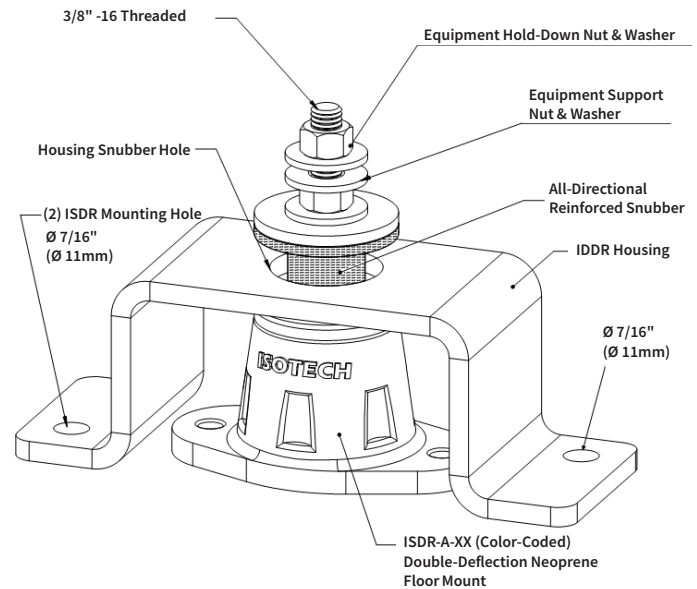


NOTES:

1. Review project submittal package and coordinate each isolator's location under equipment.
2. Remove Equipment Hold-Down Nut and Washer and insert 3/8" threaded rod into equipment bracket.
3. All-Directional Reinforced Snubber must be aligned and centered with ISDR Housing Snubber Hole as shown
4. Mark anchor bolt location, drill holes and install seismically-rated anchor bolts per manufacturer's anchor installation.
5. Review submittal package or anchor's manufacturer installation instructions for anchor embedment and edge distance- complete anchors' installation by tightening anchors per rated torques specified in manufacturer's instructions.
6. No Adjustment is required on Double-Deflection Neoprene Mount. IDR must be properly selected based on equipment corner weights. Deflection on ISDR-A-XX Neoprene mount at the rated load provides equal space between snubber washers at top and bottom with ISDR housing as shown.
7. Secure equipment to ISDR isolators by tightening Equipment Hold-Down Nut and Washer.
8. Isolators NOT TO BE moved laterally while supporting equipment weight.



PROJECT INFORMATION		EQUIPMENT INFORMATION		Canada location	USA Location
Customer:		Type:		35 Silton Road Woodbridge ON L4L 7Z8 CANADA T: 905-856-5001	3021 E Coronado St. Anaheim, CA.,92806 U.S.A T: 949-788-2930
Project:		Qty Required:			
Drawing No:		Operating Weight:			
Notes:					

Tool free : 1-888-831-3311
www.isotechindustries.com

