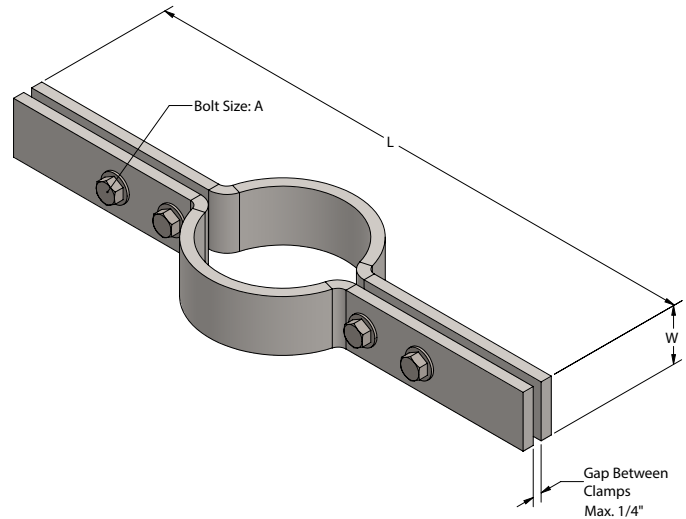
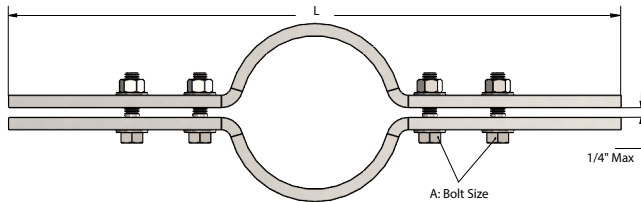


SPECIFICATIONS : IRCH- ISOTECH Heavy Duty Riser Clamp Size 1" - 4"

Model	Pipe Size		A		L		W		Approx. WT.		Rated Capacity	
	P (in)	in	mm	in	mm	in	mm	lbs.	kg	lbf.	kN	
IRCH-100	1	3/8	10	11 13/16	300	1 1/16	40	1.78	0.81	260	1,157	
IRCH-125	1.25	3/8	10	11 13/16	300	1 1/16	40	1.83	0.83	280	1,246	
IRCH-150	1.5	3/8	10	11 13/16	300	1 1/16	40	1.85	0.84	320	1,423	
IRCH-200	2	3/8	10	13 3/8	340	1 1/16	40	2.87	1.30	650	2,891	
IRCH-250	2.5	3/8	10	13 3/8	340	1 1/16	40	2.95	1.34	790	3,514	
IRCH-300	3	1/2	13	15 3/4	400	1 1/16	40	4.89	2.22	840	3,737	
IRCH-400	4	1/2	13	15 3/4	400	1 1/16	40	5.10	2.31	1,030	4,582	



Note:

- 1- Rated capacities are all based on physical testing at a third-party ISO17025 accredited lab.
- 2- Tabulated rated capacities are based on testing values divided by a safety factor of 3.5
- 3- Rated capacities are based on bolt clamping force on pipe only
- 4- ISOTECH Riser Clamps are made of high strength steel and hardware are all Grade 5
- 5- ISOTECH Riser Clamps Complies with MSS SP-58 and SP-69 (Type 8)
- 6- Zinc Plated finish for clamps and hardware

PROJECT INFORMATION		EQUIPMENT INFORMATION		Canada location	USA Location
Customer:		Type:		35 Silton Road Woodbridge ON L4L 7Z8 CANADA T: 905-856-5001	3021 E Coronado St. Anaheim, CA.,92806 U.S.A T: 949-788-2930
Project:		Qty Required:			
Drawing No:		Operating Weight:			
Notes:				Tool free : 1-888-831-3311 www.isotechindustries.com	

