

SPECIFICATIONS : IPS 4-8 SEISMIC PUMP STAND

Model	Max. Lateral Load Allowed-without Neoprene Pads under Pump Stand		Max. Lateral Load Allowed-with Neoprene Pads under Pump Stand		ø D		ø d		ø A		Approx. WT.	
	lb.	kN	lb.	kN	in	mm	in	mm	in	mm	lbs.	kg
IPS-4	2790	12.410	2200	9.786	7 ½	191	¾	20	¾	16	34	15.5
IPS-5	2760	12.277	2190	9.742	8 ½	216	¾	23	¾	20	33.75	15.4
IPS-6	2750	12.232	2150	9.564	9 ½	242	¾	23	¾	20	33.5	15.2
IPS-8	2680	11.921	2100	9.341	11 ¾	299	¾	23	¾	23	33.2	15.1

DIMENSION : IPS- ISOTECH SEISMIC PUMP STAND

Model	M		N		H		h		B		G	
	in	mm	in	mm	in	mm	in	mm	in	mm	in	mm
IPS-4	14	356	4 ½	105	14 ½	369	9	229	8	204	10 ¾	270
IPS-5	14.75	375	4 ½	105	14 ¾	366	9	229	9 ½	242	12 ½	308
IPS-6	15.5	394	4 ½	105	14	356	9	229	10	254	12 ¾	328
IPS-8	16 ¾	426	4 ½	105	14	355	9	229	11 ¾	299	14 ¾	366

Notch Dimension

Model	C		E	
	in	mm	in	mm
IPS-4	1 ⅙	27	5	127
IPS-5	1 ⅙	31	5 ⅙	142
IPS-6	1 ⅙	31	6 ⅙	154
IPS-8	1 ⅙	31	7 ⅙	186

Model	OH	
	in	mm
IPS-4		
IPS-5	15	381
IPS-6		
IPS-8		

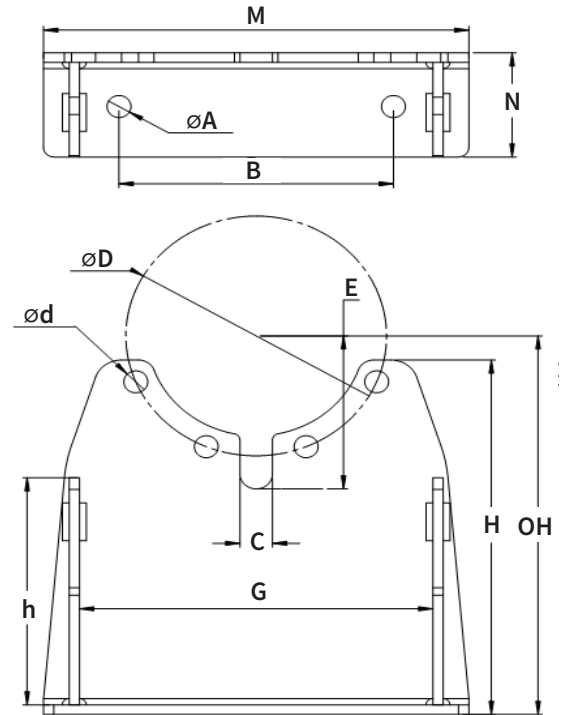


Fig 1.

⅜" THICK HIGH STRENGTH STEEL

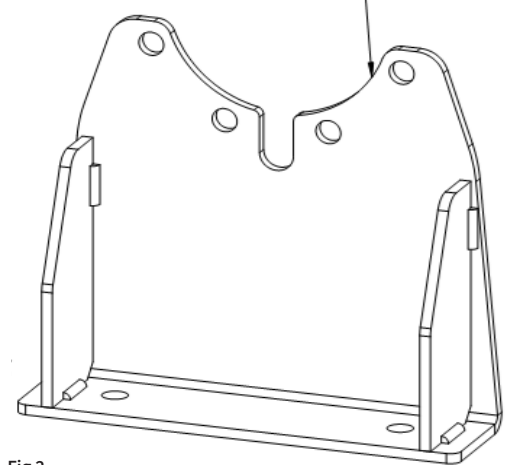
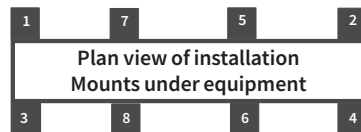


Fig 2.

ISOLATOR'S LOCATIONS

1:	5:
2:	6:
3:	7:
4:	8:



Notes:

- Seismic Pump Stands are made of high yield/strength steel material and are designed for 1 g lateral force
- Bolt hole diameter and bolt hole pattern are based on ANSI 125/ 150# slip on Flange
- Seismic pump stand s have powder-coat finish to provide maximum corrosion resistance
- Seismic Load calculation must be performed to ensure proper selection of product
- Seismic Pump Stands must be used in pair for Vertical In line Pumps
- Seismic Pump Stand s are available for all size/type flange - Contact factory for details

PROJECT INFORMATION		EQUIPMENT INFORMATION		Canada location	USA Location
Customer:		Type:		35 Siltan Road Woodbridge ON L4L 7Z8 CANADA T: 905-856-5001	3021 E Coronado St. Anaheim, CA.,92806 U.S.A T: 949-788-2930
Project:		Qty Required:			
Drawing No:		Operating Weight:			
Notes:				Tool free : 1-888-831-3311 www.isotechindustries.com	

