

SPECIFICATIONS : IPS-10 SEISMIC PUMP STAND												
Model	Max. Lateral Load Allowed-without Neoprene Pads under Pump Stand		Max. Lateral Load Allowed-with Neoprene Pads under Pump Stand		ø D		ø d		ø F		Approx. WT.	
	lbf.	kN	lbf.	kN	in	mm	in	mm	in	mm	lbs.	kg
IPS-10	3885	17.281	3125	13.900	14 ¼	362	1	26	¾	20	102	46.3

DIMENSION : IPS-10 ISOTECH SEISMIC PUMP STAND												
Model	M		N		H		h		OH		G	
	in	mm	in	mm	in	mm	in	mm	in	mm	in	mm
IPS-10	22	559	8	204	17 ⅝	446	12 ⅜	315	18 ½	470	8 ¼	210

Notch Dimension				
Model	C		E	
	in	mm	in	mm
IPS-10	1 ⅞	48	9 ⅞	251

Model	A		B	
	in	mm	in	mm
IPS-10	20 ¼	515	5 ⅜	146

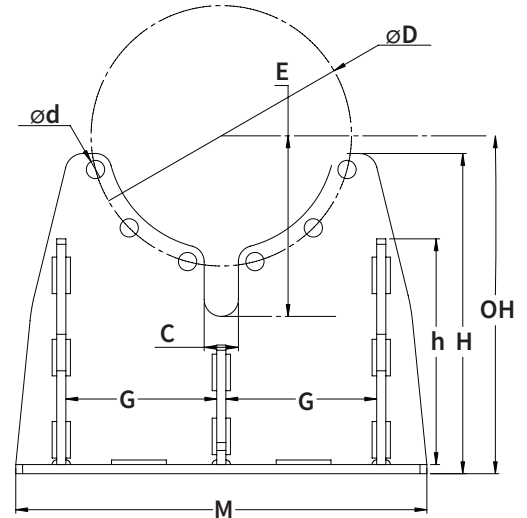
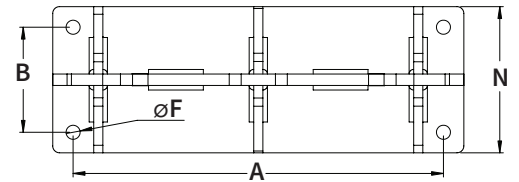
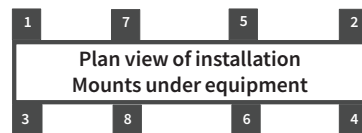


Fig 1.

ISOLATOR'S LOCATIONS	
1:	5:
2:	6:
3:	7:
4:	8:



5/8" THICK HIGH STRENGTH STEEL

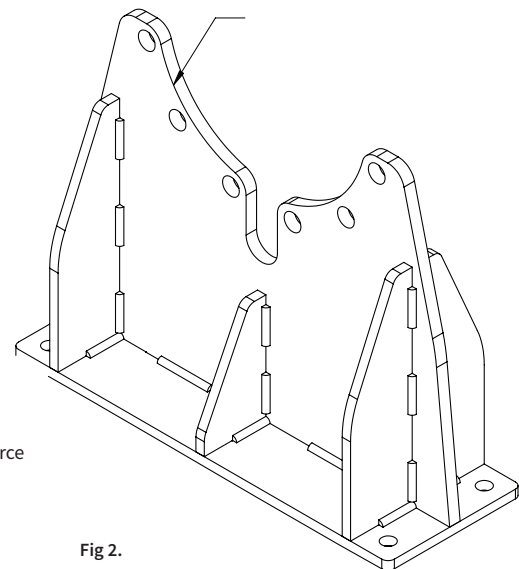


Fig 2.

Notes:

- Seismic Pump Stands are made of high yield/strength steel material and are designed for 1 g lateral force
- Bolt hole diameter and bolt hole pattern are based on ANSI 125/ 150# slip on Flange
- Seismic pump stands have powder-coat finish to provide maximum corrosion resistance
- Seismic Load calculation must be performed to ensure proper selection of product
- Seismic Pump Stands must be used in pair for Vertical In line Pumps
- Seismic Pump Stands are available for all size/type flange - Contact factory for details

PROJECT INFORMATION		EQUIPMENT INFORMATION		Canada location	USA Location
Customer:		Type:		35 Siltan Road Woodbridge ON L4L 7Z8 CANADA T: 905-856-5001	3021 E Coronado St. Anaheim, CA.,92806 U.S.A T: 949-788-2930
Project:		Qty Required:			
Drawing No:		Operating Weight:			
Notes:				Tool free : 1-888-831-3311 www.isotechindustries.com	

