

SPECIFICATIONS : IPS 1.5-3 SEISMIC PUMP STAND

Model	Max. Lateral Load Allowed-without Neoprene Pads under Pump Stand		Max. Lateral Load Allowed-with Neoprene Pads under Pump Stand		ø D		ø d		ø A		Approx. WT.	
	lbF.	kN	lbF.	kN	in	mm	in	mm	in	mm	lbs.	kg
IPS-1.5	1280	5.694	1075	4.781	3 5/8	99	3/8	16	3/4	20	15.5	7
IPS-2	1230	5.471	1025	4.559	4 3/4	121	3/4	20	3/4	20	15.8	7.2
IPS-2.5	1205	5.360	1000	4.448	5 1/2	140	3/4	20	3/4	20	16.1	7.3
IPS-3	1185	5.271	980	4.359	6	153	3/4	20	3/4	20	16.2	7.4

DIMENSION : IPS- ISOTECH SEISMIC PUMP STAND

Model	M		N		H		h		B		G	
	in	mm	in	mm	in	mm	in	mm	in	mm	in	mm
IPS-1.5	12 15/16	329	3 1/2	89	10 9/16	269	7 1/16	180	10 1/2	267	7 1/16	186
IPS-2	12 15/16	329	3 1/2	89	10 7/8	277	7 1/16	180	10 1/2	267	7 1/16	180
IPS-2.5	12 15/16	329	3 1/2	89	10 7/8	277	7 1/16	180	10 1/2	267	7 1/16	180
IPS-3	12 15/16	329	3 1/2	89	10 7/8	277	7 1/16	180	10 1/2	267	7 1/16	180

Notch Dimension

Model	C		E	
	in	mm	in	mm
IPS-1.5	1 5/16	24	2 15/16	75
IPS-2	1 1/16	27	3 1/2	89
IPS-2.5	1 1/16	27	4	102
IPS-3	1 1/16	27	4 1/4	108

Model	OH	
	in	mm
IPS-1.5	11 3/16	285
IPS-2	11 11/16	297
IPS-2.5	12	305
IPS-3	12	305

ISOLATOR'S LOCATIONS

1:	5:
2:	6:
3:	7:
4:	8:

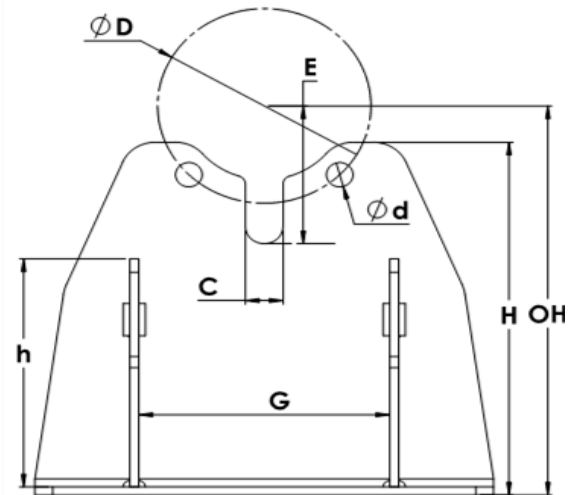
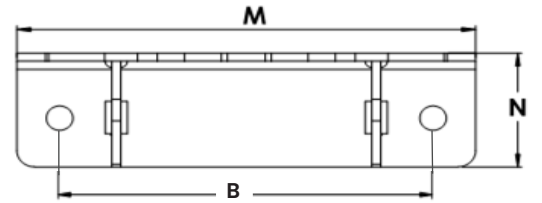
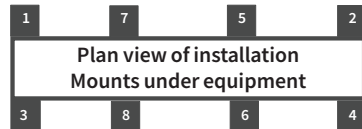


Fig 1.

1/4" THICK HIGH STRENGTH STEEL

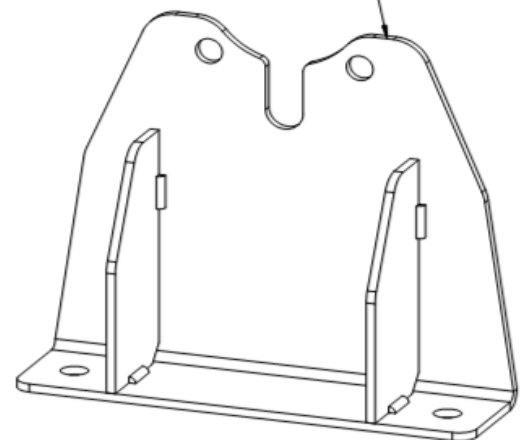


Fig 2.

Notes:

- Seismic Pump Stands are made of high yield/strength steel material and are designed for 1 g lateral force
- Bolt hole diameter and bolt hole pattern are based on ANSI 125/ 150# slip on Flange
- Seismic pump stand s have powder-coat finish to provide maximum corrosion resistance
- Seismic Load calculation must be performed to ensure proper selection of product
- Seismic Pump Stands must be used in pair for Vertical In line Pumps
- Seismic Pump Stand s are available for all size/type flange - Contact factory for details

PROJECT INFORMATION		EQUIPMENT INFORMATION		Canada location	USA Location
Customer:		Type:		35 Siltan Road Woodbridge ON L4L 7Z8 CANADA T: 905-856-5001	3021 E Coronado St. Anaheim, CA.,92806 U.S.A T: 949-788-2930
Project:		Qty Required:			
Drawing No:		Operating Weight:			
Notes:				Tool free : 1-888-831-3311 www.isotechindustries.com	

