

IPH - ISOTECH PUMP HANGER

File No. : ISOCS-IPH-1.5-10

Date: 09/15/15

ISOIN-IPH-1.5-10, Installation Instructions Document, to be Reviewed for Installation

SPECIFICATIONS : IPH ISOTECH PUMP HANGER

Model	L		W		ØD		Ød		Coupling Size	Approx. WT.	
	in	mm	in	mm	in	mm	in	mm		lbs.	kg
IPH - 1.5	4 9/16	116	4 7/8	124	3 7/8	99	5/8	16	3/8-16	1.25	0.6
IPH - 2	5	127	5 1/16	148	4 3/4	121	3/4	20	3/8-16	1.3	0.6
IPH - 2.5	5 1/4	134	5 1/16	148	5 1/2	140	3/4	20	3/8-16	1.35	0.7
IPH - 3	5 13/16	148	5 1/16	148	6	153	3/4	20	1/2-13	1.37	0.7
IPH - 4	6 1/16	170	8 1/16	221	7 1/2	191	3/4	20	1/2-13	3.8	1.8
IPH - 5	7 9/16	193	9 1/16	247	8 1/2	216	7/8	23	5/8-11	4.8	2.2
IPH - 6	8 3/4	210	10 1/2	267	9 1/2	242	7/8	23	5/8-11	5.1	2.4
IPH - 8	9 3/4	248	13 1/4	337	11 3/4	299	7/8	23	3/4-10	7.31	3.4
IPH - 10	12 1/4	312	18 3/16	462	14 1/4	362	1	26	1-8	22.2	10.1

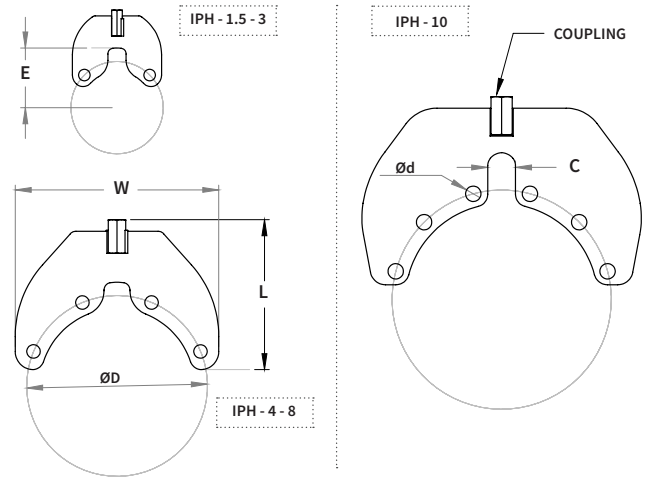
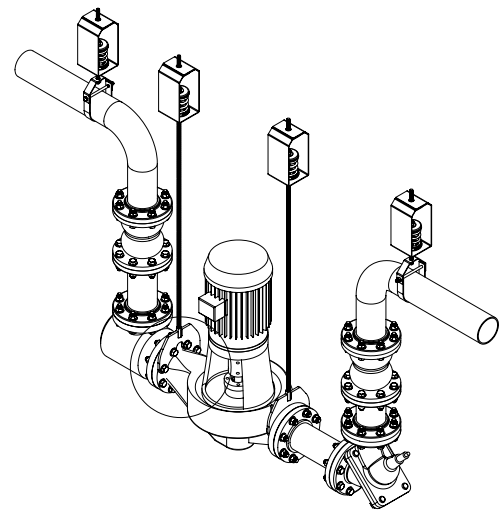
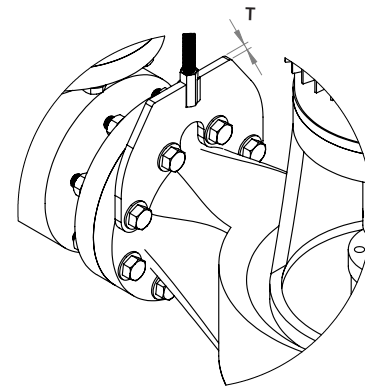


Plate Thickness

Model	C		E		T	
	in	mm	in	mm	In	mm
IPH - 1.5	1 5/16	24	2 1/16	75	1/4	7
IPH - 2	1 1/16	27	3 9/16	89	1/4	7
IPH - 2.5	1 1/16	24	4	102	1/4	7
IPH - 3	1 1/16	27	4 1/4	108	1/4	7
IPH - 4	1 1/16	27	5	127	3/8	10
IPH - 5	1 3/16	31	5 9/16	142	3/8	10
IPH - 6	1 3/16	31	6 1/16	154	3/8	10
IPH - 8	1 3/16	31	7 9/16	186	3/8	10
IPH - 10	1 7/8	48	9 7/8	251	1/2	13



1 Plan view of installation Mounts On the equipment 2



Notes:

- ISOTECH Pump Hangers are made of high yield/strength steel material
- Bolt hole diameter and bolt hole pattern are based on ANSI 125/ 150# slip on Flange
- ISOTECH Pump Hangers have powder-coat finish to provide maximum corrosion resistance
- ISOTECH Pump Hangers must be used in pair for Vertical In line Pumps
- ISOTECH Pump Hangers can be used with or without spring isolation hangers
- ISOTECH Pump Hangers are available for all size/type flange - Contact factory for details

PROJECT INFORMATION		EQUIPMENT INFORMATION		Canada location	USA Location
Customer:		Type:		35 Siltan Road Woodbridge ON L4L 7Z8 CANADA T: 905-856-5001	3021 E Coronado St. Anaheim, CA.,92806 U.S.A T: 949-788-2930
Project:		Qty Required:			
Drawing No:		Operating Weight:			
Notes:				Tool free : 1-888-831-3311 www.isotechindustries.com	

