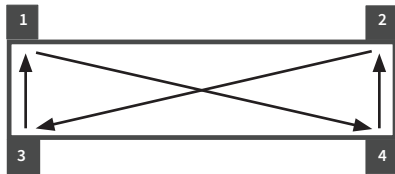
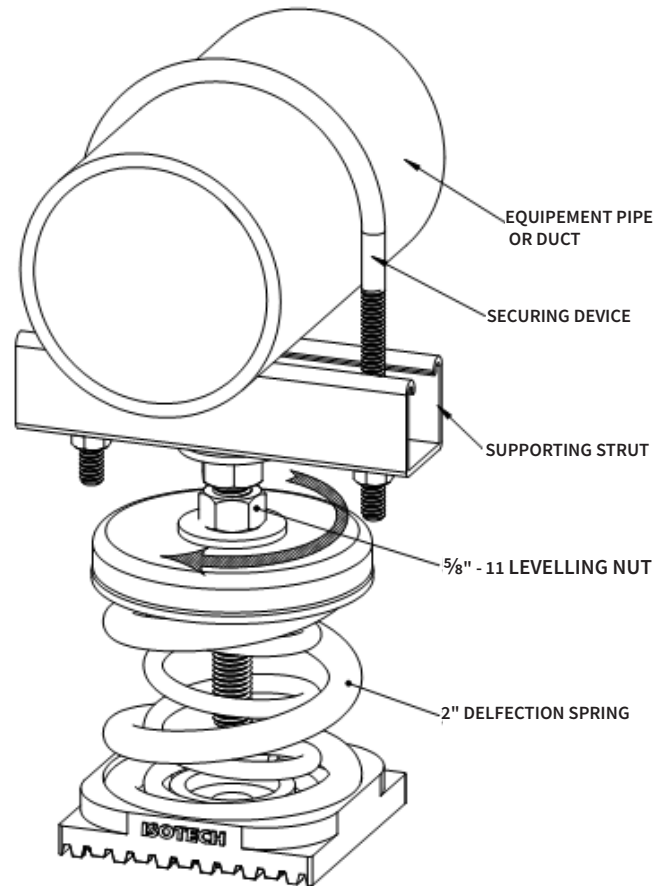


## IOSBT-2, 2" DEFLECTION OPEN SPRINGS INSTALLATION INSTRUCTIONS

1. Refer to submittal package prepared by ISOTECH Industries and locate each isolator based on model # and identification tag provided
2. Use temporary support, such as shims, to get operating height required and lower equipment on Supporting strut
3. Secure equipment, pipe or ductwork on supporting strut as shown. Use U-Bolts, Straps or weld as appropriate for securement
4. Follow star pattern sequence shown below and turn leveling nut clockwise to free equipment from temporary support. Do not turn leveling



STAR PATTERN ORDER: 1, 4, 2, 3, & 1



PROJECT INFORMATION		EQUIPMENT INFORMATION		Canada location	USA Location
Customer:		Type:		35 Silton Road Woodbridge ON L4L 7Z8 CANADA T: 905-856-5001	3021 E Coronado St. Anaheim, CA.,92806 U.S.A T: 949-788-2930
Project:		Qty Required:			
Drawing No:		Operating Weight:			
Notes:				Tool free : 1-888-831-3311 <a href="http://www.isotechindustries.com">www.isotechindustries.com</a>	

