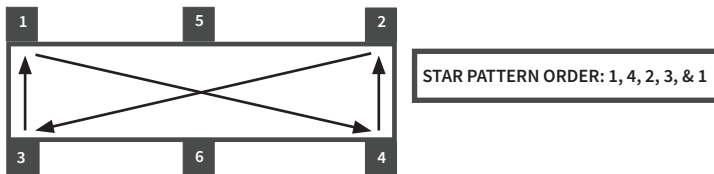
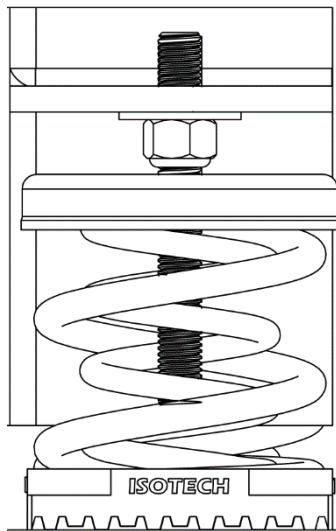
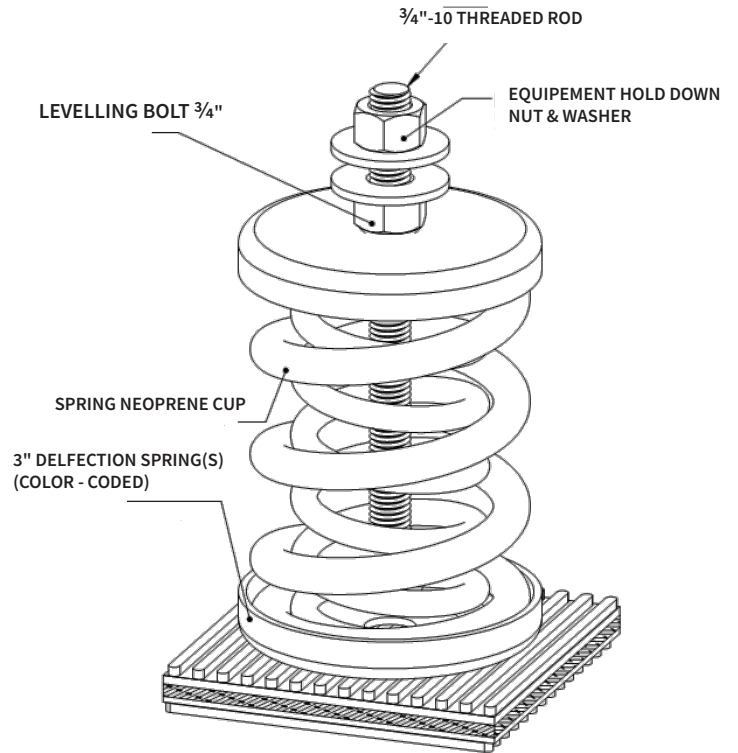


## IOSB-3, 3" DEFLECTION OPEN SPRINGS INSTALLATION INSTRUCTIONS

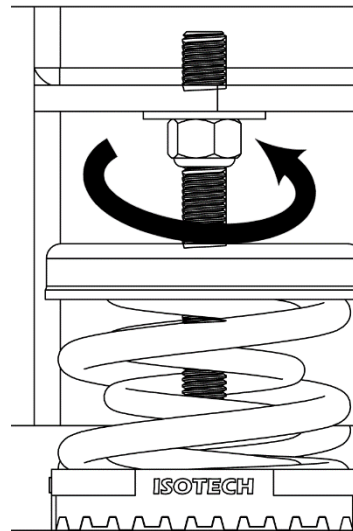
1. Refer to submittal package prepared by ISOTECH Industries and locate each isolator based on model # and identification tag provided
2. Remove equipment hold-down nut and washer
3. Use temporary support, such as shims, to get operating height required and lower equipment on springs – Pic. A
4. Follow star pattern sequence shown below and turn leveling nut counter clock-wise to free equipment from temporary support. Do not turn leveling bolt on one isolator more than 3 turns at a time – Pic. B



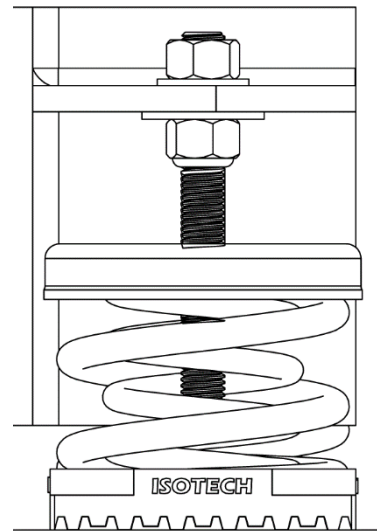
5. Once equipment is floating freely on isolators, tie down equipment hold-down nut – Pic. C



Pic. A



Pic. B



Pic. C

PROJECT INFORMATION		EQUIPMENT INFORMATION		Canada location	USA Location
Customer:		Type:		35 Silton Road Woodbridge ON L4L 7Z8 CANADA T: 905-856-5001	3021 E Coronado St. Anaheim, CA.,92806 U.S.A T: 949-788-2930
Project:		Qty Required:			
Drawing No:		Operating Weight:			
Notes:				Tool free : 1-888-831-3311 <a href="http://www.isotechindustries.com">www.isotechindustries.com</a>	

