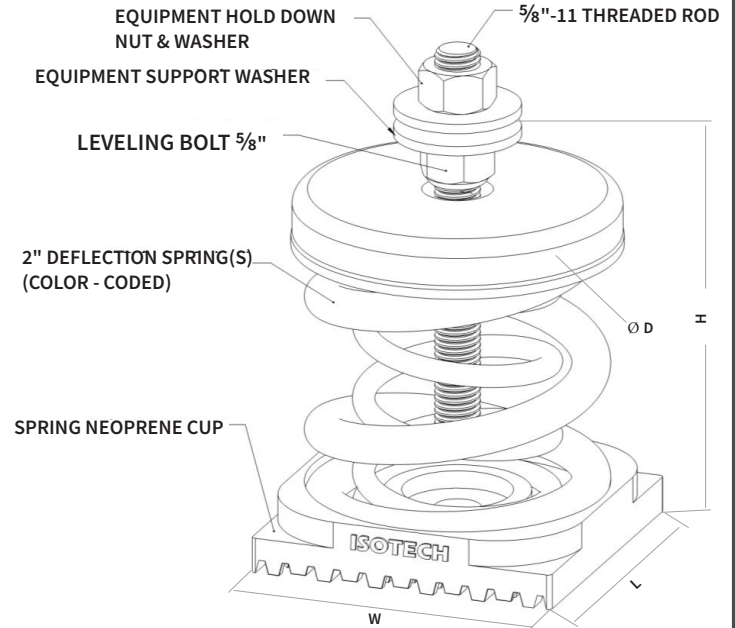


SPECIFICATIONS : IOSB-2" DEFLECTION ISOTECH OPEN SPRINGS ISOLATOR

Model	RATED LOAD		RATED DEFLECTION		SPRING COLOR		APPROX. WEIGHT	
	lbf.	kN	in	mm	OUTER	INNER	lbs.	kg
IOSB-2-100	100	0.445	2.0	50.8	RED	--	2.50	1.14
IOSB-2-200	200	0.89	2.0	50.8	RED	GREY	2.60	1.18
IOSB-2-300	300	1.335	2.0	50.8	RED	ORANGE	2.80	1.28
IOSB-2-400	400	1.78	2.0	50.8	RED	YELLOW	2.90	1.32
IOSB-2-500	500	2.225	2.0	50.8	RED	GREEN	3.00	1.37
IOSB-2-600	600	2.669	2.0	50.8	BROWN	GREY	3.10	1.41
IOSB-2-800	800	3.559	2.0	50.8	BLUE	--	3.30	1.5
IOSB-2-1000	1000	4.449	2.0	50.8	GREEN	--	3.40	1.55
IOSB-2-1200	1200	5.338	2.0	50.8	GREEN	ORANGE	4.00	1.82
IOSB-2-1500	1500	6.673	2.0	50.8	GREY	--	3.80	1.73
IOSB-2-1800	1800	8.007	2.0	50.8	GREY	YELLOW	4.30	1.96
IOSB-2-2000	2000	8.897	2.0	50.8	GREY	WHITE	3.90	1.77
IOSB-2-2300	2300	9.787	2.0	50.8	GREY	RED	4.50	2.05
IOSB-2-2500	2500	11.121	2.0	50.8	ORANGE	--	4.10	1.86
IOSB-2-2800	2800	12.455	2.0	50.8	ORANGE	YELLOW	4.90	2.23
IOSB-2-3000	3000	13.345	2.0	50.8	BLACK	--	4.50	2.05
IOSB-2-3500	3500	15.569	2.0	50.8	BLACK	WHITE	5.30	2.41
IOSB-2-3800	3800	16.904	2.0	50.8	BLACK	RED	5.70	2.59
IOSB-2-4000	4000	17.793	2.0	50.8	BLACK	BLUE	5.90	2.68
IOSB-2-4500	4500	20.017	2.0	50.8	BLACK	BROWN	7.50	3.41

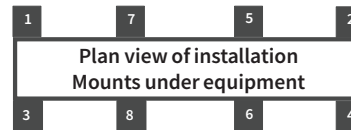


Dimension : IOSB-2" DEFLECTION ISOTECH OPEN SPRINGS ISOLATOR

Model	H-OPERATING HT.		ØD		L & W	
	in	mm	in	mm	in	mm
IOSB-2-100-4500	6	153	4 9/16	116	4 3/8	112

ISOLATOR'S LOCATIONS

1:	5:
2:	6:
3:	7:
4:	8:



- NOTE:**
- Free standing laterally stable spring isolator – 2" deflection. Minimum KX/KY ratio of 1.1 Minimum KX/KY ratio of 0.8
 - Springs are powder – coated for maximum corrosion protection, and are designed to have 50% over travel under rated load- Hardware, spring compression cup and spring support cup are all zinc plated
 - Minimum Grade 2 for hardware. All elements are safe at solid loading

PROJECT INFORMATION		EQUIPMENT INFORMATION		Canada location	USA Location
Customer:		Type:		35 Silton Road Woodbridge ON L4L 7Z8 CANADA T: 905-856-5001	3021 E Coronado St. Anaheim, CA.,92806 U.S.A T: 949-788-2930
Project:		Qty Required:			
Drawing No:		Operating Weight:			
Notes:				Tool free : 1-888-831-3311 www.isotechindustries.com	

