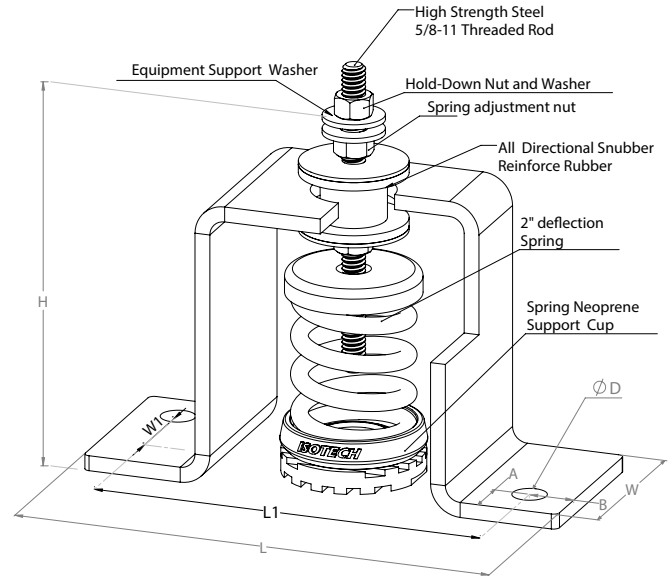


SPECIFICATIONS : IHSS-2" DEFLECTION ISOTECH SEISMICALLY RATED FLOOR MOUNTED SPRING ISOLATOR

Model	Rated Load		Rated Deflection		Spring Color	Approx. WT.	
	lbf.	kN	in	mm		lbs.	kg
IHSS-2-30	30	0.133	2	50.8	PINK	12.50	5.70
IHSS-2-50	50	0.222	2	50.8	PURPLE	12.50	5.70
IHSS-2-100	100	0.445	2	50.8	GREY	12.57	5.71
IHSS-2-200	200	0.89	2	50.8	ORANGE	12.58	5.71
IHSS-2-300	300	1.335	2	50.8	YELLOW	12.60	5.72
IHSS-2-400	400	1.78	2	50.8	GREEN	12.78	5.8
IHSS-2-500	500	2.225	2	50.8	WHITE	14.82	6.73
IHSS-2-600	600	2.669	2	50.8	BLACK	14.86	6.75
IHSS-2-800	800	3.559	2	50.8	RED	14.92	6.77
IHSS-2-1000	1000	4.449	2	50.8	BLUE	14.95	6.79
IHSS-2-1500	1500	6.673	2	50.8	BROWN	14.95	6.79



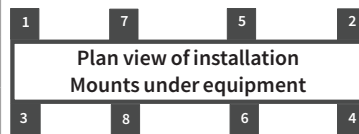
Dimension: IHSS-2" DEFLECTION ISOTECH SEISMICALLY RATED FLOOR MOUNTED SPRING ISOLATOR

Model	L		W		H	
	in	mm	in	mm	in	mm
IHSS-2-30-1500	9 7/8	251	4.0	102	7 3/4	197
	L1		W1		ø D	
	8 1/8	207	2 1/4	58	1 1/16	15
	A	B	SPRING BOLT ADJUSTMENT			
7/8	23	7/8	23	5/8"		

* Anchor capacity is based on 4000 psi reinforce concrete (cracked concrete) with minimum 6" edge distance. Hilti anchors - Type KBTZ - were considered for all calculations. Detailed calculations must be performed if different anchors are used.

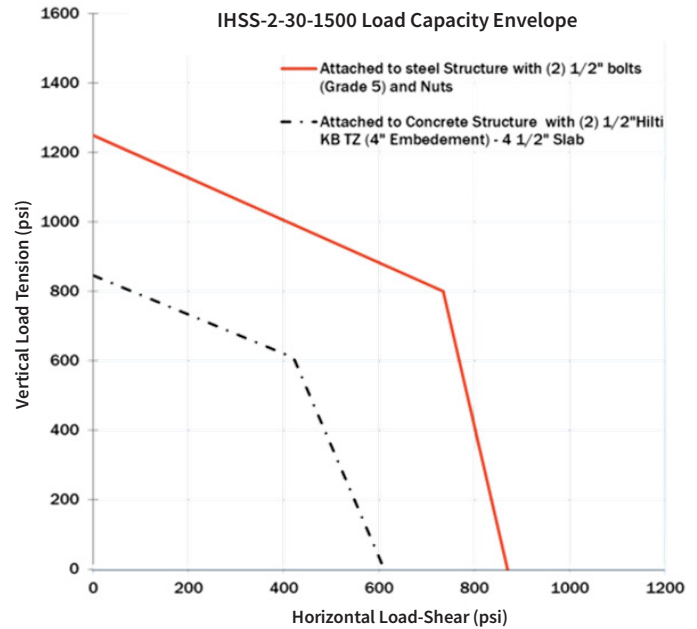
ISOLATOR'S LOCATIONS


1:	5:
2:	6:
3:	7:
4:	8:



Notes:

- Housing and Threaded rod are made of high strength steel. IHSS-2-30-1000 is designed and manufactured to provide minimum resistance of 1g for lateral seismic load
- Hot-Dip Galvanized finish for Housing to offer maximum corrosion resistance for isolator - Hardware and Spring Compression Cup are zinc -electroplated
- Spring(s) are powder - coated to provide maximum corrosion resistance , and are color-coded for easy identification at site - see table above
- All springs have additional travel to solid equal to 50% of the Rated Deflection with minimum Kx/Ky ratio of 0.85 - All Elements are safe at solid load
- All directional snubber is made of reinforced neoprene and is designed to prevent metal to metal contact.
- IHSS-2-30-1500 must be installed so that snubbing elements have 1/8" to 1/4" clearance with housing under operating condition



PROJECT INFORMATION		EQUIPMENT INFORMATION		Canada location	USA Location
Customer:		Type:		35 Siltan Road Woodbridge ON L4L 7Z8 CANADA T: 905-856-5001	3021 E Coronado St. Anaheim, CA, 92806 U.S.A T: 949-788-2930
Project:		Qty Required:		 Tool free : 1-888-831-3311 www.isotechindustries.com	
Drawing No:		Operating Weight:			
Notes:					