

## SPECIFICATIONS : IHSS-1" DEFLECTION ISOTECH SEISMICALLY RATED FLOOR MOUNTED SPRING ISOLATOR

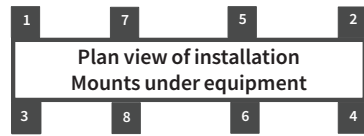
Model	Rated Load		Rated Deflection		Spring Color	Approx. WT.	
	lbf.	kN	in	mm		lbs.	kg
IHSS-1-30	30	0.134	1	25.4	YELLOW	4.57	2.08
IHSS-1-50	50	0.223	1	25.4	GREEN	4.58	2.08
IHSS-1-100	100	0.445	1	25.4	BLACK	4.60	2.09
IHSS-1-150	150	0.668	1	25.4	RED	4.78	2.17
IHSS-1-200	200	0.89	1	25.4	BLUE	4.82	2.19
IHSS-1-300	300	1.335	1	25.4	WHITE	4.86	2.21
IHSS-1-400	400	1.78	1	25.4	BROWN	4.92	2.24
IHSS-1-500	500	2.225	1	25.4	ORANGE	4.95	2.25
IHSS-1-600	600	2.669	1	25.4	GREY	5.10	2.32

## Dimension: IHSS-1" DEFLECTION ISOTECH SEISMICALLY RATED FLOOR MOUNTED SPRING ISOLATOR

Model	L		W		H	
	in	mm	in	mm	in	mm
IHSS-1-30-600	8.0	204	3.0	77	5 1/16	151
	L1		W1		ø D	
	in	mm	in	mm	in	mm
	6 1/2	166	2 1/4	39	3/16	15
A		B		SPRING BOLT ADJUSTMENT		
in	mm	in	mm	3/8"		
3/4	20	3/4	20			

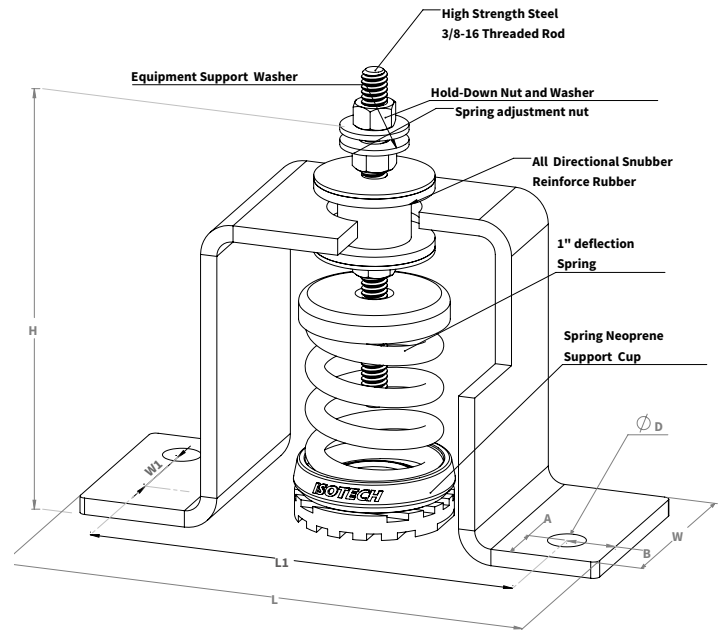
### ISOLATOR'S LOCATIONS

1:	5:
2:	6:
3:	7:
4:	8:

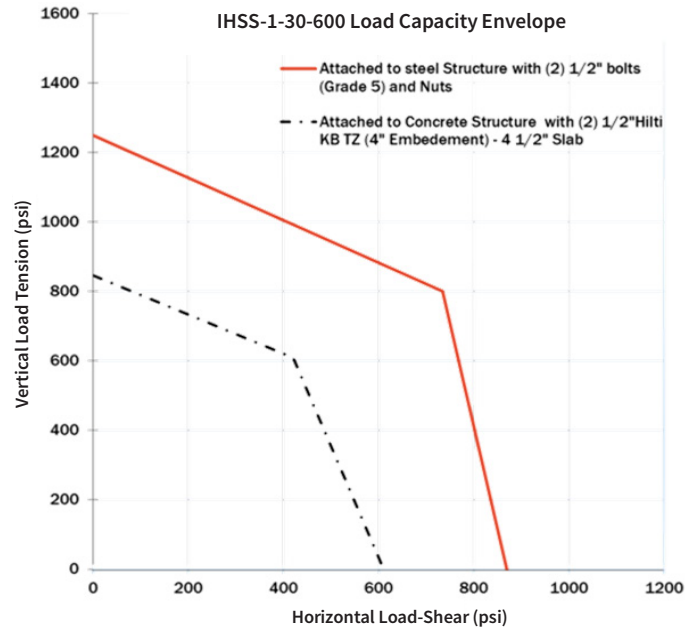


### Notes:

- Housing and Threaded rod are made of high strength steel. IHSS-1-30-600 is designed and manufactured to provide minimum resistance of 1g for lateral seismic load.
- Hot-Dip Galvanized finish for Housing to offer maximum corrosion resistance for isolator - Hardware and Spring Compression Cup are zinc-electroplated
- Spring(s) are powder - coated to provide maximum corrosion resistance, and are color-coded for easy identification at site - see table above
- All springs have additional travel to solid equal to 50% of the Rated Deflection with minimum Kx/Ky ratio of 0.85 - All Elements are safe at solid load
- All directional snubber is made of reinforced neoprene and is designed to prevent metal to metal contact.
- IHSS-1-30-600 must be installed so that snubbing elements have 1/8" to 1/4" clearance with housing under operating condition



\* Anchor capacity is based on 4000 psi reinforce concrete (cracked concrete) with minimum 6" edge distance. Hilti anchors- Type KBTZ - were considered for all calculations. Detailed calculations must be performed if different anchors are used.



PROJECT INFORMATION		EQUIPMENT INFORMATION		Canada location	USA Location
Customer:		Type:		35 Siltan Road Woodbridge ON L4L 7Z8 CANADA T: 905-856-5001	3021 E Coronado St. Anaheim, CA, 92806 U.S.A T: 949-788-2930
Project:		Qty Required:			
Drawing No:		Operating Weight:			
Notes:				Tool free : 1-888-831-3311 www.isotechindustries.com	