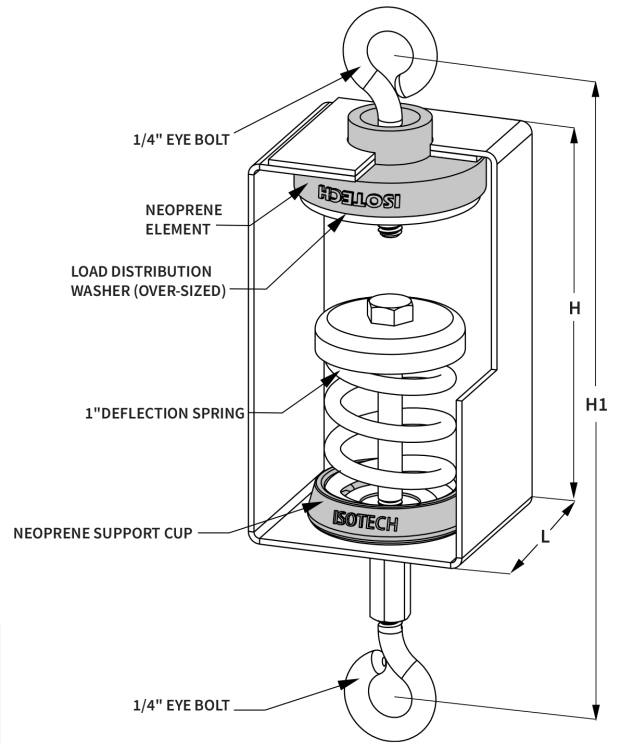


**SPECIFICATIONS - IHSCE-1GEE-1" DEFLECTION COMPACT CEILING HANGER WITH DECK SUPPORT, TOP AND BOTTOM EYE BOLT**

Model	RATED LOAD		RATED DEFLECTION		SPRING COLOR	APPROX. WT.	
	lbf.	kN	in	mm		lbs.	kg
IHSCE-1GEE-15	15	0.067	1.0	25.4	GREY	1.75	0.8
IHSCE-1GEE-30	30	0.134	1.0	25.4	BLACK	1.80	0.82
IHSCE-1GEE-50	50	0.223	1.0	25.4	RED	1.85	0.84
IHSCE-1GEE-75	75	0.334	1.0	25.4	WHITE	1.85	0.84
IHSCE-1GEE-100	100	0.445	1.0	25.4	YELLOW	2.00	0.91
IHSCE-1GEE-125	125	0.557	1.0	25.4	BLUE	2.00	0.91
IHSCE-1GEE-150	150	0.668	1.0	25.4	ORANGE	2.00	0.91
IHSCE-1GEE-200	200	0.89	1.0	25.4	BROWN	2.00	0.91

HARDWARE NOT INCLUDED - SPRING CUP : ZINC PLATED

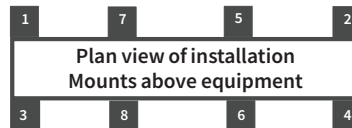


**Dimension : IHSCE-1GEE-1" DEFLECTION COMPACT CEILING HANGER WITH DECK SUPPORT, TOP AND BOTTOM EYE BOLT**

Model	L		W		H		H1	
	in	mm	in	mm	in	mm	in	mm
IHSCE-1GEE-15-200	2 1/16	53	2 3/8	61	4 1/4	108	9	229

**ISOLATOR'S LOCATIONS**

1:	5:
2:	6:
3:	7:
4:	8:



**Notes:**

- Housing is designed to allow 15° misalignment for hanger rod
- Neoprene Element is designed to provide up to 0.28" deflection at rated load
- Spring and Housing are powder-coated for maximum corrosion protection, and are designed to have minimum 50% over travel under rated load

PROJECT INFORMATION		EQUIPMENT INFORMATION		Canada location	USA Location
Customer:		Type:		35 Silton Road Woodbridge ON L4L 7Z8 CANADA T: 905-856-5001	3021 E Coronado St. Anaheim, CA.,92806 U.S.A T: 949-788-2930
Project:		Qty Required:			
Drawing No:		Operating Weight:			
Notes:				Tool free : 1-888-831-3311 <a href="http://www.isotechindustries.com">www.isotechindustries.com</a>	

