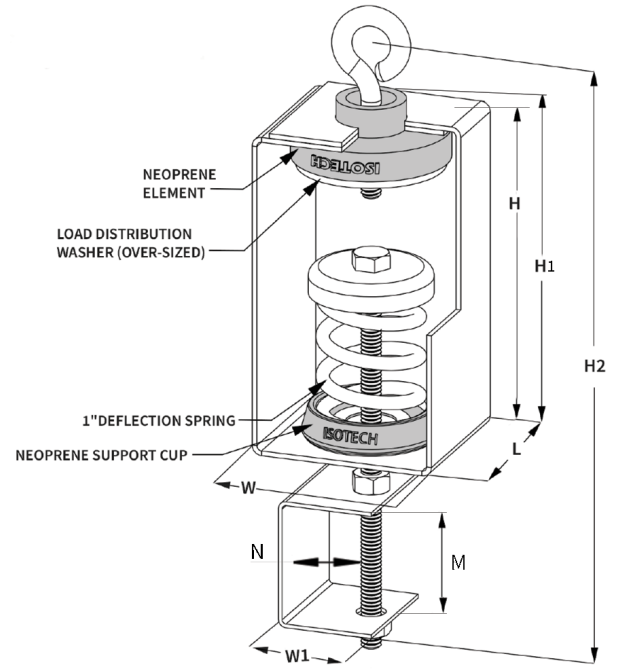
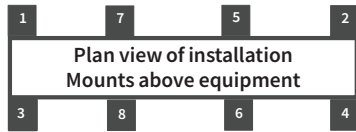


SPECIFICATIONS - IHSCE-1DTE-1" DEFLECTION COMPACT CEILING HANGER WITH DECK SUPPORT AND TOP EYE BOLT							
Model	RATED LOAD		RATED DEFLECTION		SPRING COLOR	APPROX. WT.	
	lbf.	kN	in	mm		lbs.	kg
IHSCE-1DTE-15	15	0.067	1.0	25.4	GREY	1.75	0.8
IHSCE-1DTE-30	30	0.134	1.0	25.4	BLACK	1.80	0.82
IHSCE-1DTE-50	50	0.223	1.0	25.4	RED	1.85	0.84
IHSCE-1DTE-75	75	0.334	1.0	25.4	WHITE	1.85	0.84
IHSCE-1DTE-100	100	0.445	1.0	25.4	YELLOW	2.00	0.91
IHSCE-1DTE-125	125	0.557	1.0	25.4	BLUE	2.00	0.91
IHSCE-1DTE-150	150	0.668	1.0	25.4	ORANGE	2.00	0.91
IHSCE-1DTE-200	200	0.89	1.0	25.4	BROWN	2.00	0.91

Dimension : IHSCE-1DTE-1" DEFLECTION COMPACT CEILING HANGER WITH DECK SUPPORT AND TOP EYE BOLT									
Model	L		W		H		H1		H2
	in	mm	in	mm	in	mm	in	mm	
IHSCE-1DTE-15-200	2 1/16	53	2 3/8	61	4 1/4	108	4 7/16	112	
	H2		W1		M		N		
	in	mm	in	mm	in	mm	in	mm	
	7 1/16	195	1 5/8	42	1 9/16	40	1 1/16	18	



ISOLATOR'S LOCATIONS	
1:	5:
2:	6:
3:	7:
4:	8:



Notes:

- Housing is designed to allow 15° misalignment for hanger rod
- Neoprene Element is designed to provide up to 0.28" deflection at rated load
- Spring and Housing are powder – coated for maximum corrosion protection, and are designed to have minimum 50% over travel under rated load

PROJECT INFORMATION		EQUIPMENT INFORMATION		Canada location	USA Location
Customer:		Type:		35 Siltan Road Woodbridge ON L4L 7Z8 CANADA T: 905-856-5001	3021 E Coronado St. Anaheim, CA., 92806 U.S.A T: 949-788-2930
Project:		Qty Required:			
Drawing No:		Operating Weight:			
Notes:				Tool free : 1-888-831-3311 www.isotechindustries.com	

