

IHSCE-1D COMPACT CEILING HANGER WITH DECK SUPPORT

File No. : ISOCS-IHSCE-1D-15-200 Date: 09/15/15
 ISOIN-IHSCE-1D-15-200, Installation Instructions Document, to be Reviewed for Installation

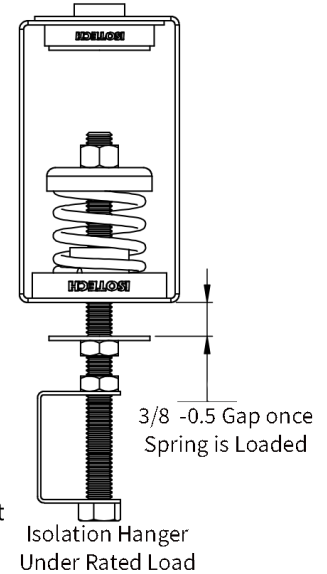
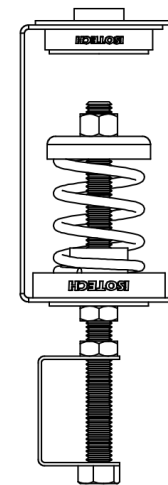
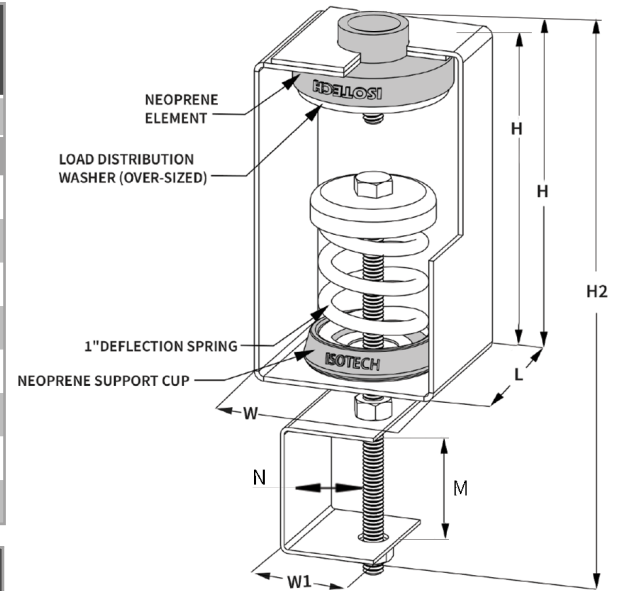
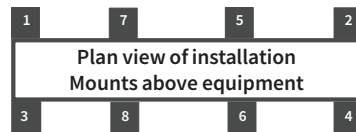
SPECIFICATIONS - IHSCE-1D-1" DEFLECTION DECK SUSPENDED CEILING HANGER WITH NEOPRENE ELEMENT

Model	RATED LOAD		RATED DEFLECTION		SPRING COLOR	APPROX. WT.	
	lbf.	kN	in	mm		lbs.	kg
IHSCE-1D-15	15	0.067	1.0	25.4	GREY	1.75	0.8
IHSCE-1D-30	30	0.134	1.0	25.4	BLACK	1.80	0.82
IHSCE-1D-50	50	0.223	1.0	25.4	RED	1.85	0.84
IHSCE-1D-75	75	0.334	1.0	25.4	WHITE	1.85	0.84
IHSCE-1D-100	100	0.445	1.0	25.4	YELLOW	2.00	0.91
IHSCE-1D-125	125	0.557	1.0	25.4	BLUE	2.00	0.91
IHSCE-1D-150	150	0.668	1.0	25.4	ORANGE	2.00	0.91
IHSCE-1D-200	200	0.89	1.0	25.4	BROWN	2.00	0.91

Dimension : IHSCE-1D-1" DEFLECTION DECK SUSPENDED CEILING HANGER WITH NEOPRENE ELEMENT

Model	L		W		H		H1	
	in	mm	in	mm	in	mm	in	mm
IHSCE-1D-15-200	2 1/16	53	2 3/8	61	4 1/4	108	4 7/16	112
	H2		W1		M		N	
	in	mm	in	mm	in	mm	in	mm
	7 11/16	195	1 3/8	42	1 1/16	40	1 1/16	18

ISOLATOR'S LOCATIONS	
1:	5:
2:	6:
3:	7:
4:	8:



Notes:

- Housing is designed to allow 30° misalignment for hanger rod
- Spring and Housing are powder-coated to provide maximum corrosion resistance - Springs are color coded
- All springs have additional travel to solid equal to 50% of the Rated Deflection with
- Minimum Kx/Ky ratio of 0.8 - All Elements are safe at solid load
- Spring is supported by Neoprene cup and is in-line with neoprene element to provide maximum vibration isolation for the supported system

PROJECT INFORMATION		EQUIPMENT INFORMATION		Canada location	USA Location
Customer:		Type:		35 Silton Road Woodbridge ON L4L 7Z8 CANADA T: 905-856-5001	3021 E Coronado St. Anaheim, CA, 92806 U.S.A T: 949-788-2930
Project:		Qty Required:			
Drawing No:		Operating Weight:			
Notes:				Tool free : 1-888-831-3311 www.isotechindustries.com	

