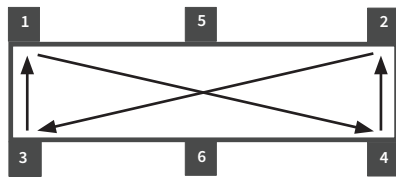
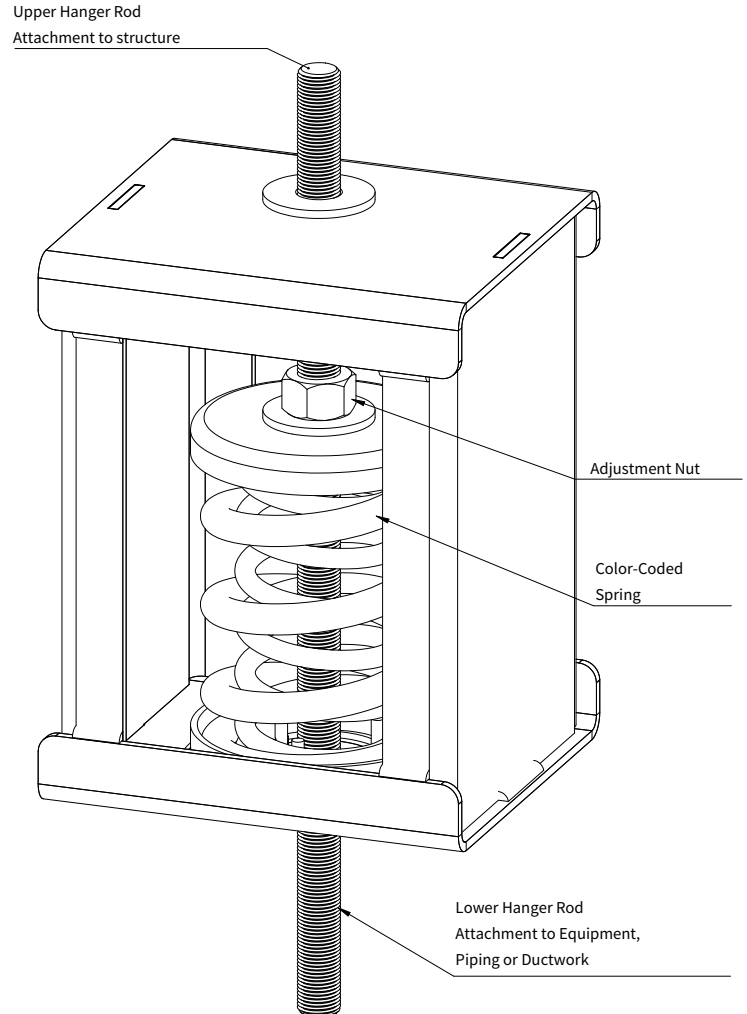


IHD-3, 3" DEFLECTION ISOTECH SPRING HANGER INSTALLATION INSTRUCTIONS

1. Refer to submittal package prepared by ISOTECH Industries and locate each isolator based on model # and identification tag provided
2. Attach upper hanger rod to structure and secure it at the bottom of neoprene element. Leave at least 1/4" gap between isolator housing and structure
3. Mount equipment, piping or ductwork to isolator using lower hanger rod
4. Follow star pattern sequence shown below and turn **leveling nut** to level equipment once all isolators are installed



STAR PATTERN ORDER: 1, 4, 2, 3, & 1



| PROJECT INFORMATION | | EQUIPMENT INFORMATION | | Canada location | USA Location |
|---------------------|--|-----------------------|--|--|---|
| Customer: | | Type: | | 35 Silton Road Woodbridge ON L4L 7Z8 CANADA T: 905-856-5001 | 3021 E Coronado St. Anaheim, CA.,92806 U.S.A T: 949-788-2930 |
| Project: | | Qty Required: | | | |
| Drawing No: | | Operating Weight: | | | |
| Notes: | | | | Tool free : 1-888-831-3311 www.isotechindustries.com | |

