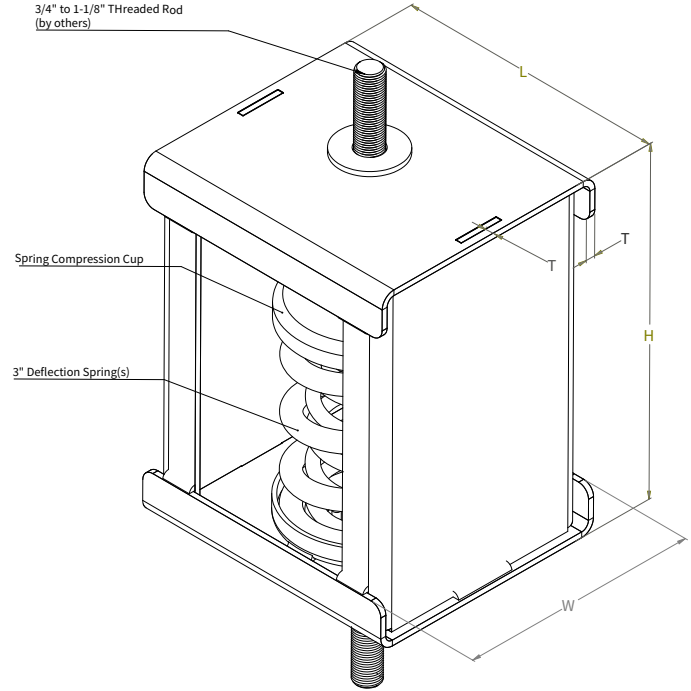


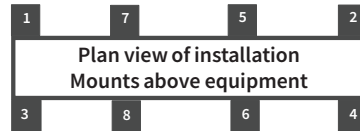
SPECIFICATIONS: IHD-3" DEFLECTION ISOTECH HEAVY DUTY SPRING HANGER								
Model	Rated Load		Rated Deflection		Spring Color		Approx. WT.	
	lbf.	kN	in	mm	outer	inner	lbs.	kg
IHD-3-2000	2000	8.897	3.0	76.2	BLACK	YELLOW	30.00	13.61
IHD-3-2300	2300	10.231	3.0	76.2	BLACK	GREY	31.00	14.07
IHD-3-2500	2500	11.121	3.0	76.2	GREY	---	32.00	14.52
IHD-3-2800	2800	12.455	3.0	76.2	GREY	WHITE	32.00	14.52
IHD-3-3000	3000	13.345	3.0	76.2	BROWN	---	33.00	14.97
IHD-3-3500	3500	15.569	3.0	76.2	BROWN	YELLOW	38.00	17.24

**HARDWARE NOT INCLUDED - SPRING CUP : ZINC PLATED**



Dimension : IHD-3" DEFLECTION ISOTECH HEAVY DUTY SPRING HANGER						
Model	L		W		H	
	in	mm	in	mm	in	mm
IHD-3-2000-3500	9	229.5	8	204.0	11 5/8	296.4
	T		<b>Contact Factory for higher capacities</b>			
	in	mm				
	5/16	8.0				

ISOLATOR'S LOCATIONS	
1:	5:
2:	6:
3:	7:
4:	8:



**Notes:**

- Spring(s) and Housings are powder - coated to provide maximum corrosion resistance , and are color - coded for easy identification at site - see table above
- All springs have additional travel to solid equal to 50% of the Rated Deflection with
- Housing is designed with a safety factor of 5 for safe installation

PROJECT INFORMATION		EQUIPMENT INFORMATION		Canada location	USA Location
Customer:		Type:		35 Siltan Road Woodbridge ON L4L 7Z8 CANADA T: 905-856-5001	3021 E Coronado St. Anaheim, CA.,92806 U.S.A T: 949-788-2930
Project:		Qty Required:			
Drawing No:		Operating Weight:			
Notes:				Tool free : 1-888-831-3311 <a href="http://www.isotechindustries.com">www.isotechindustries.com</a>	

