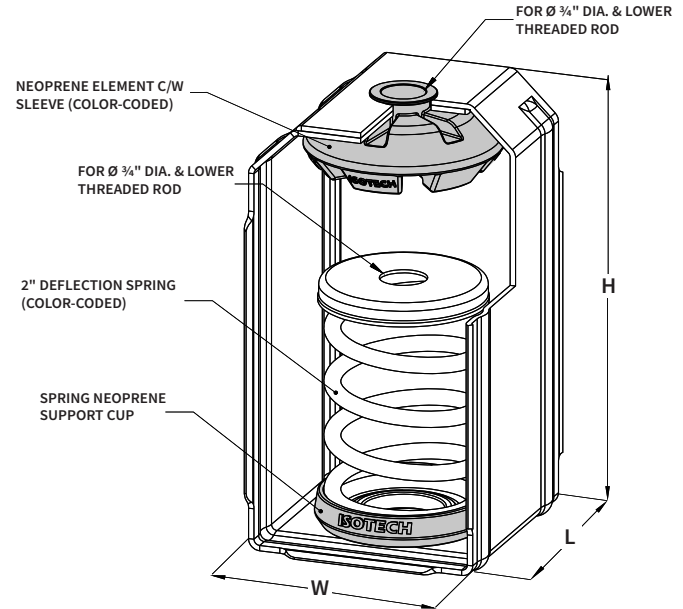


SPECIFICATIONS : IHBCE-2" DEFLECTION ISOTECH SPRING HANGER WITH SUPPORT CUP AND NEOPRENE ELEMENT

Model	RATED LOAD		RATED DEFLECTION		SPRING COLOR	NEOPRENE ELEMENT COLOR	APPROX. WT.	
	lbf.	kN	in	mm			lbs.	kg
IHBCE-2-30	30	0.133	2.0	50.8	PINK	RED	5.64	2.56
IHBCE-2-50	50	0.222	2.0	50.8	PURPLE	RED	5.79	2.63
IHBCE-2-100	100	0.445	2.0	50.8	GREY	RED	5.90	2.68
IHBCE-2-200	200	0.89	2.0	50.8	ORANGE	RED	6.10	2.77
IHBCE-2-300	300	1.335	2.0	50.8	YELLOW	BLUE	6.20	2.82
IHBCE-2-400	400	1.78	2.0	50.8	GREEN	BLUE	6.30	2.86
IHBCE-2-500	500	2.225	2.0	50.8	WHITE	BLACK	6.40	2.91
IHBCE-2-600	600	2.669	2.0	50.8	BLACK	BLACK	6.40	2.91
IHBCE-2-800	800	3.559	2.0	50.8	RED	GREEN	6.60	3.01
IHBCE-2-1000	1000	4.449	2.0	50.8	BLUE	YELLOW	6.70	3.04
IHBCE-2-1500	1500	6.673	2.0	50.8	BROWN	YELLOW	6.80	3.07

HARDWARE NOT INCLUDED - SPRING CUP: ZINC PLATED

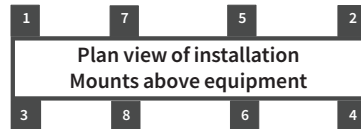


Dimension : IHBCE-2" DEFLECTION ISOTECH SPRING HANGER WITH SUPPORT CUP AND NEOPRENE ELEMENT

Model	H		W		L	
	in	mm	in	mm	in	mm
IHBCE-2-30-1500	8 1/2	216	4 1/4	108	4 3/8	112

ISOLATOR'S LOCATIONS

1:	5:
2:	6:
3:	7:
4:	8:



Notes:

- Housing is powder – coated and designed to allow 30° misalignment for hanger rod
- Neoprene Element is designed to provide up to 0.35" deflection at rated load
- Springs are powder – coated for maximum corrosion protection, and are designed to have minimum 50% over travel
- All springs have additional travel to solid equal to 50% of the Rated Deflection with minimum Kx/Ky ratio of 1.0 - All Elements are safe at solid load
- Spring is supported by Neoprene cup to provide maximum efficiency on vibration

PROJECT INFORMATION		EQUIPMENT INFORMATION		Canada location	USA Location
Customer:		Type:		35 Silton Road Woodbridge ON L4L 7Z8 CANADA T: 905-856-5001	3021 E Coronado St. Anaheim, CA.,92806 U.S.A T: 949-788-2930
Project:		Qty Required:			
Drawing No:		Operating Weight:			
Notes:				Tool free : 1-888-831-3311 www.isotechindustries.com	

