

## SPECIFICATIONS : IERB ISOTECH RESTRAINT BRACKET

Model	L		W		T		L1		øD		ød	
	in	mm	in	mm	in	mm	in	mm	in	mm	in	mm
IERB-3238	3	77	2	51	5/16	3.6	1 1/2	39	1/2	13	5/16	8
IERB-3250	3	77	2	51	5/16	3.6	1 1/2	39	3/4	19	5/16	8

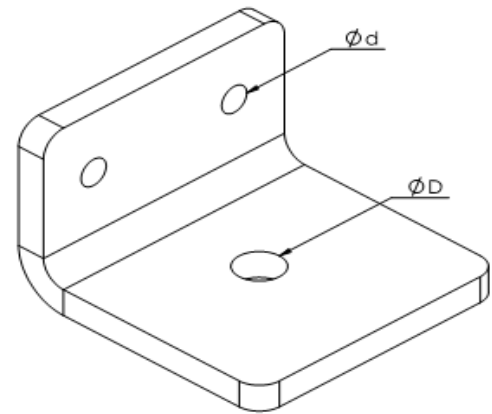
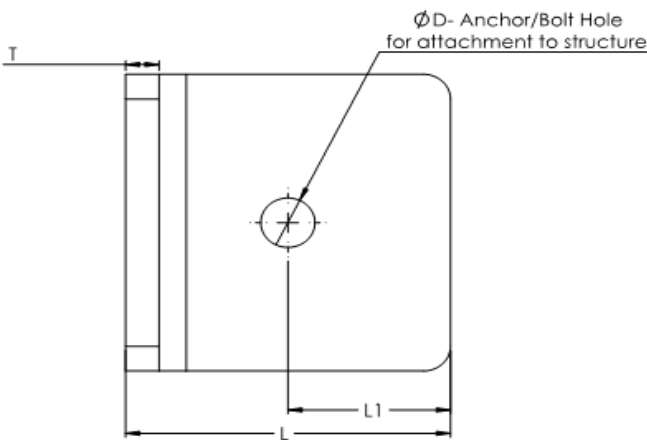


Fig. 2

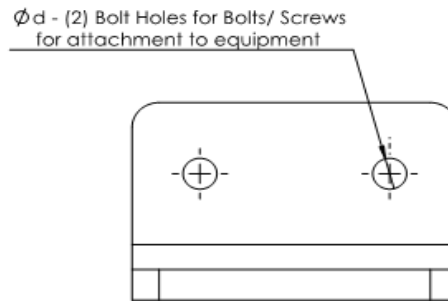


Fig. 1

### Notes:

- IERB-3238 / IERB-3250 are made of 5/16" THK high strength steel plate -Securing equipment to building structure is the main application for this product
- Seismic Load calculation must be performed to ensure proper selection of product
- Quantities of Restraint brackets must be determined based on seismic calculation

PROJECT INFORMATION		EQUIPMENT INFORMATION		Canada location	USA Location
Customer:		Type:		35 Siltan Road Woodbridge ON L4L 7Z8 CANADA T: 905-856-5001	3021 E Coronado St. Anaheim, CA.,92806 U.S.A T: 949-788-2930
Project:		Qty Required:			
Drawing No:		Operating Weight:			
Notes:				Tool free : 1-888-831-3311 <a href="http://www.isotechindustries.com">www.isotechindustries.com</a>	

