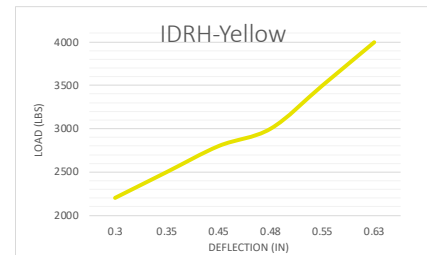
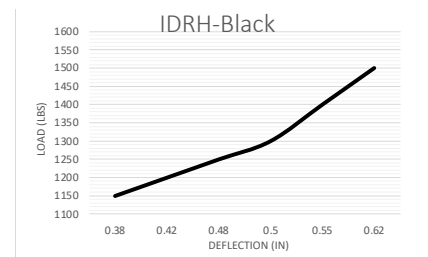
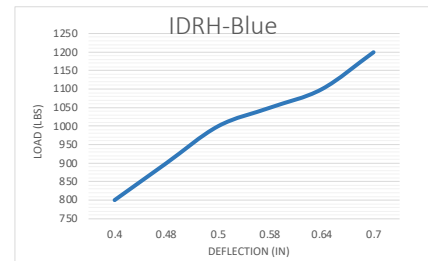
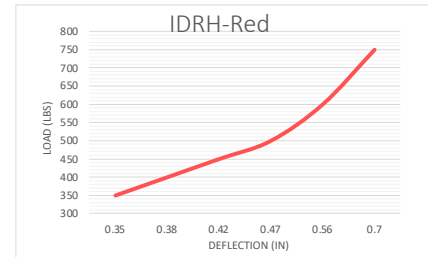
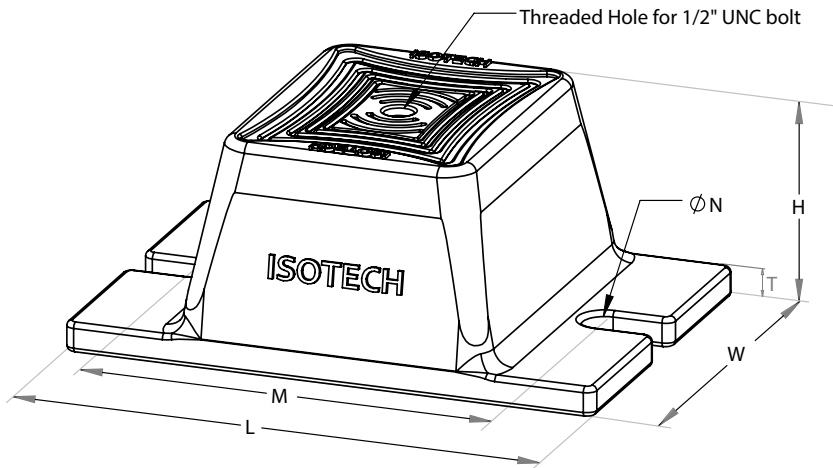
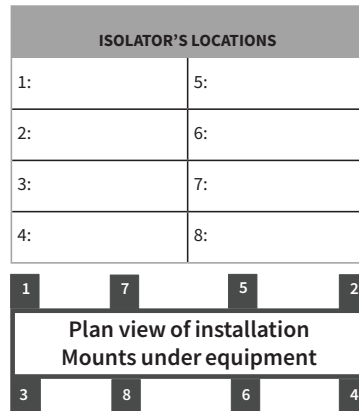


SPECIFICATIONS : IDRH HEAVY DUTY RUBBER IN-SHEAR DOUBLE DEFLECTION FLOOR MOUNT ISOLATOR						
Model	Rated Load		Rated Deflection		Approx. WT.	
	lbf.	kN	in	mm	lbs.	kg
IDRH-RED	350 to 750	1.557 to 3.336	0.5	12.7	3.3	1.5
IDRH-BLUE	800 to 1200	3.559 to 5.338	0.5	12.7	3.3	1.5
IDRH-BLACK	1300 to 1500	5.783 to 6.672	0.5	12.7	3.3	1.5
IDRH-GREEN	1600 to 2000	7.117 to 8.896	0.5	12.7	3.3	1.5
IDRH-YELLOW	2200 to 4000	9.786 to 17.793	0.5	12.7	3.3	1.5

Model					
DIMENSION : IDRH					
L		W		H	
in	mm	in	mm	in	mm
6 ¾	171.5	4 ¾	120.7	2 ¾	69.9
T		M		øN	
in	mm	in	mm	in	mm
¾	9.5	5 ¼	133.4	¼	39.7



**Notes:**

- Bottom surface and top surfaces are ribbed to enhance isolation efficiency
- IDRH isolators include steel inserts embedded in neoprene for the full top and base areas
- 0.7" is allowed for maximum deflection on IDRH Isolators
- 0.5" is Recommended deflection on IDRH Isolators

PROJECT INFORMATION		EQUIPMENT INFORMATION		Canada location	USA Location
Customer:		Type:		35 Siltan Road Woodbridge ON L4L 7Z8 CANADA T: 905-856-5001	3021 E Coronado St. Anaheim, CA, 92806 U.S.A T: 949-788-2930
Project:		Qty Required:			
Drawing No:		Operating Weight:			
Notes:				Tool free : 1-888-831-3311 <a href="http://www.isotechindustries.com">www.isotechindustries.com</a>	

