

Seismic Applications

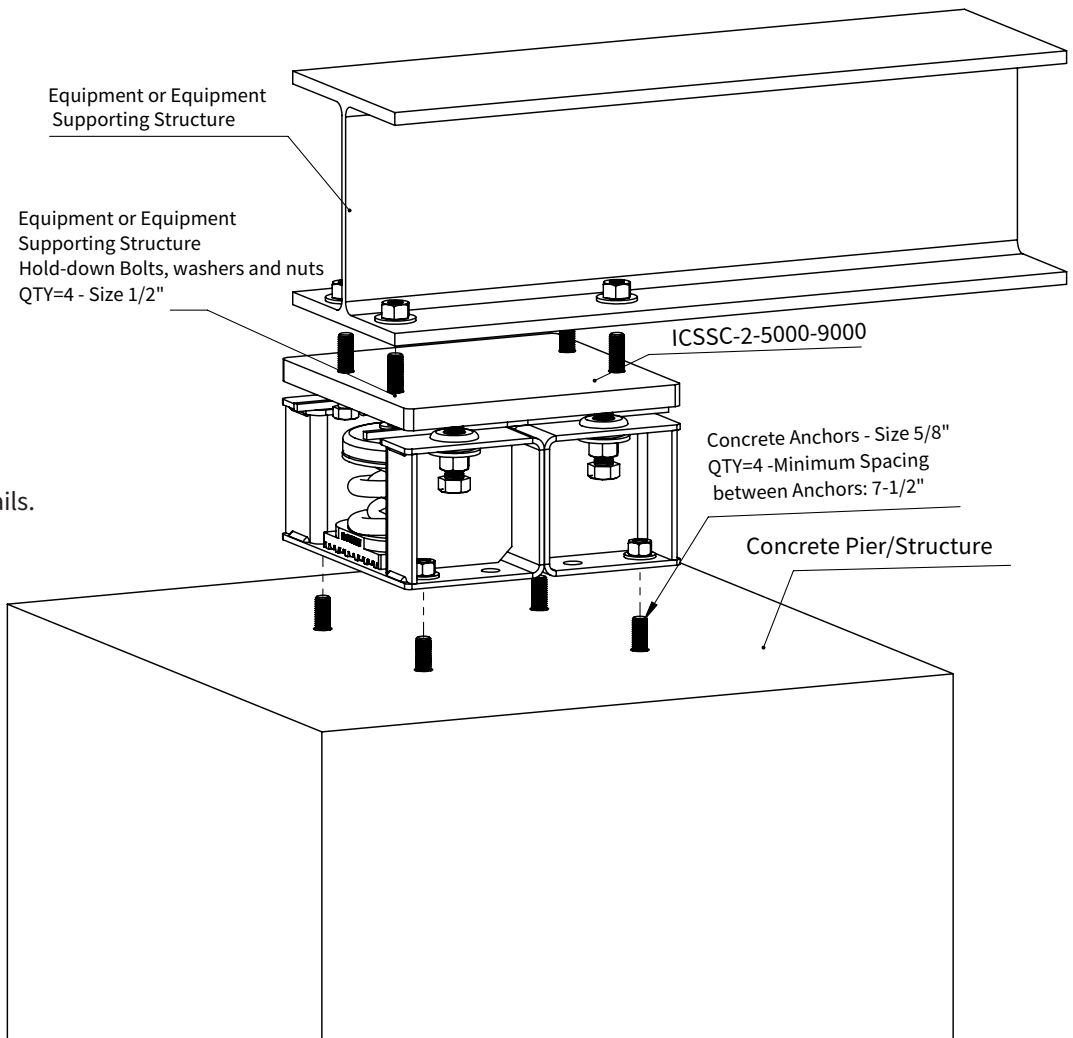
ICSSC-2-5000-9000 Restraint/Isolators are Pre-Compressed products. Isolator Top plate is under pressure caused by compressed springs. The following steps must be followed carefully for proper installation:

1. Do not remove Spacers/Shipping Blocks from isolators until step #9 as they are the key indicators for proper adjustment on springs

2.Refer to submittal package prepared by ISOTECH Industries and locate each isolator based on model# and identification tag provided.

3.Secure Isolators to the supporting concrete structure using (4) four sets of 5/8" concrete anchors, Refer to Submittal drawings for details.

4.Mark isolator anchor holes on concrete structure and follow anchor manufacturer's instructions on hole preparation, hole cleaning procedures, anchor installations and required torque value on anchor nuts- secure each isolator to concrete structure.

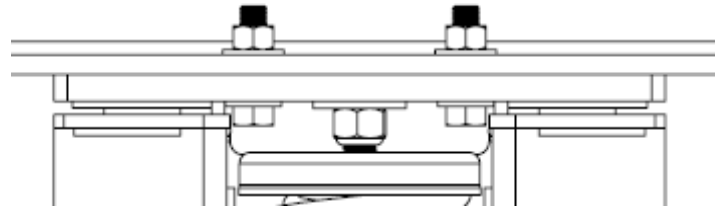
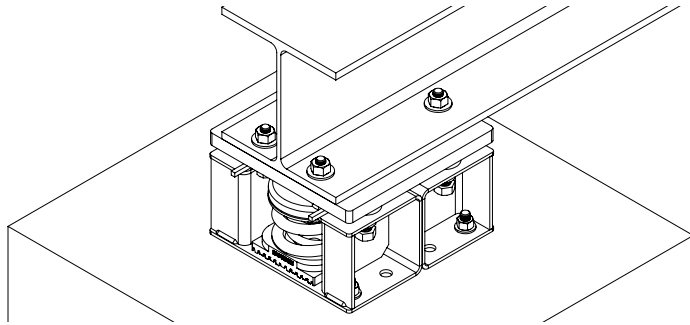


5.Use crane, gantry or other proper lifting machine to elevate equipment and/or equipment supporting structure

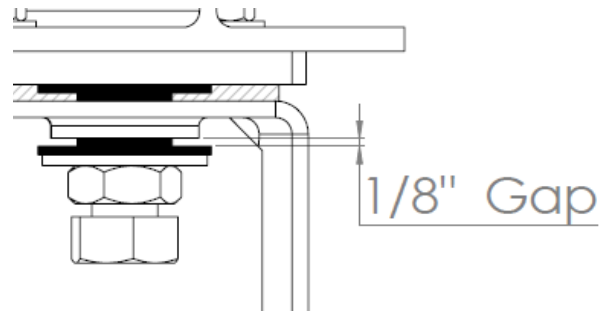
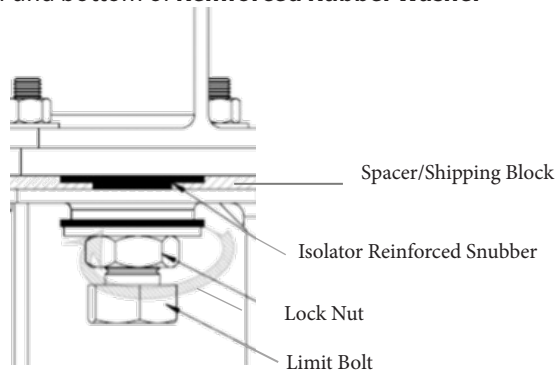
PROJECT INFORMATION		EQUIPMENT INFORMATION		Canada location	USA Location
Customer:		Type:		35 Silton Road Woodbridge ON L4L 7Z8 CANADA T: 905-856-5001	3021 E Coronado St. Anaheim, CA.,92806 U.S.A T: 949-788-2930
Project:		Qty Required:			
Drawing No:		Operating Weight:			
Notes:				Tool free : 1-888-831-3311 www.isotechindustries.com	



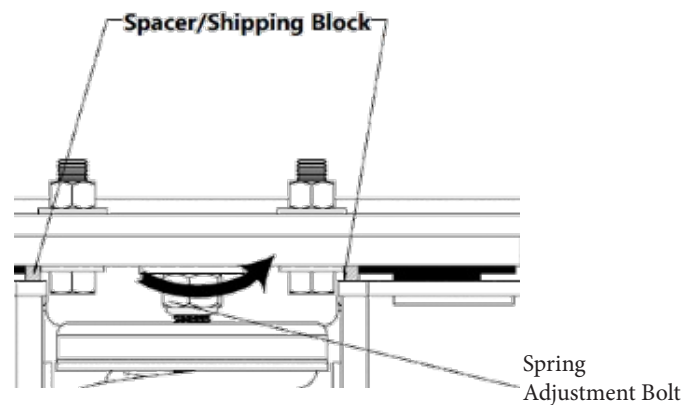
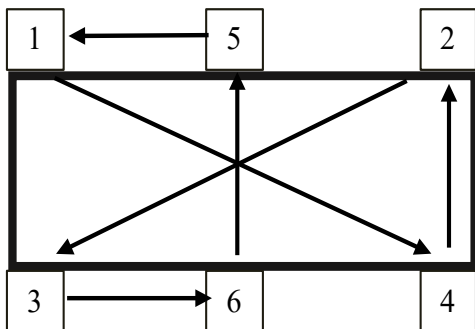
6. Carefully lower the equipment and/or equipment supporting structure and properly locate it on top of isolators. Use (4) four sets of 1/2" dia. bolts, nuts and washers to secure the equipment and/or equipment supporting structure to each isolator



7. Loosen the two **Lock Nuts** located inside each stanchion as shown in the picture and move it down to have 1/8" gap between washer and bottom of **Reinforced Rubber Washer**



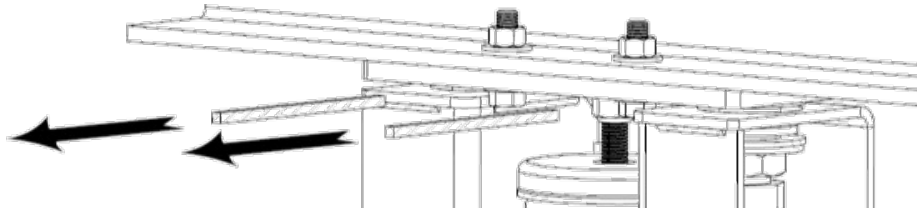
8. With Spacers/ Shipping Blocks in place, follow star pattern sequence shown below and turn Spring Adjustment Bolt one or two turns on each isolator. DO NOT turn Spring Adjustment Bolt more than two turns at a time, turn both spring adjustment bolts on each isolator



PROJECT INFORMATION		EQUIPMENT INFORMATION		Canada location	USA Location
Customer:		Type:		35 Silton Road Woodbridge ON L4L 7Z8 CANADA T: 905-856-5001	3021 E Coronado St. Anaheim, CA.,92806 U.S.A T: 949-788-2930
Project:		Qty Required:			
Drawing No:		Operating Weight:			
Notes:				Tool free : 1-888-831-3311 www.isotechindustries.com	



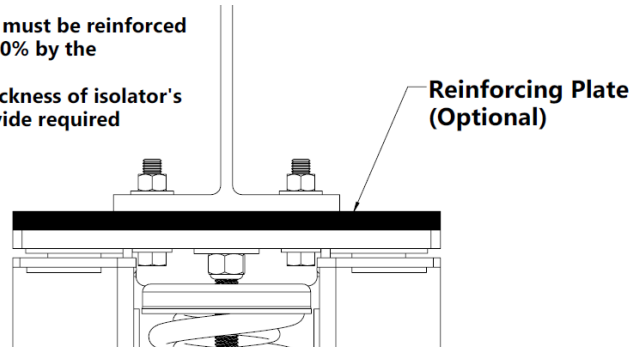
9. Follow Star Pattern Sequence until Spacers/ Shipping Blocks can be moved easily



10. Installations where Equipment supporting structure or equipment footing covers less than 80% of isolator top plate:

- Add a reinforcing plate, with the same dimensions of isolator top plate, on top of isolator top plate as shown below:

Isolator's Top (supporting) plate must be reinforced when it is covered for less than 80% by the supporting equipment. An additional plate, the same thickness of isolator's top plate, must be added to provide required reinforcement.



- Continue Installation by following Step 8 through 10

PROJECT INFORMATION		EQUIPMENT INFORMATION		Canada location	USA Location
Customer:		Type:		35 Silton Road Woodbridge ON L4L 7Z8 CANADA T: 905-856-5001	3021 E Coronado St. Anaheim, CA.,92806 U.S.A T: 949-788-2930
Project:		Qty Required:			
Drawing No:		Operating Weight:			
Notes:					

