

ICSSC-2-100-4500 Restraint/Isolators are Pre-Compressed products. Isolator Top plate is under pressure caused by compressed springs. The following steps must be followed carefully for proper installation:

1. Do not remove Spacers/Shipping Blocks from isolators until step #10 as they are the key indicators for proper adjustment on springs

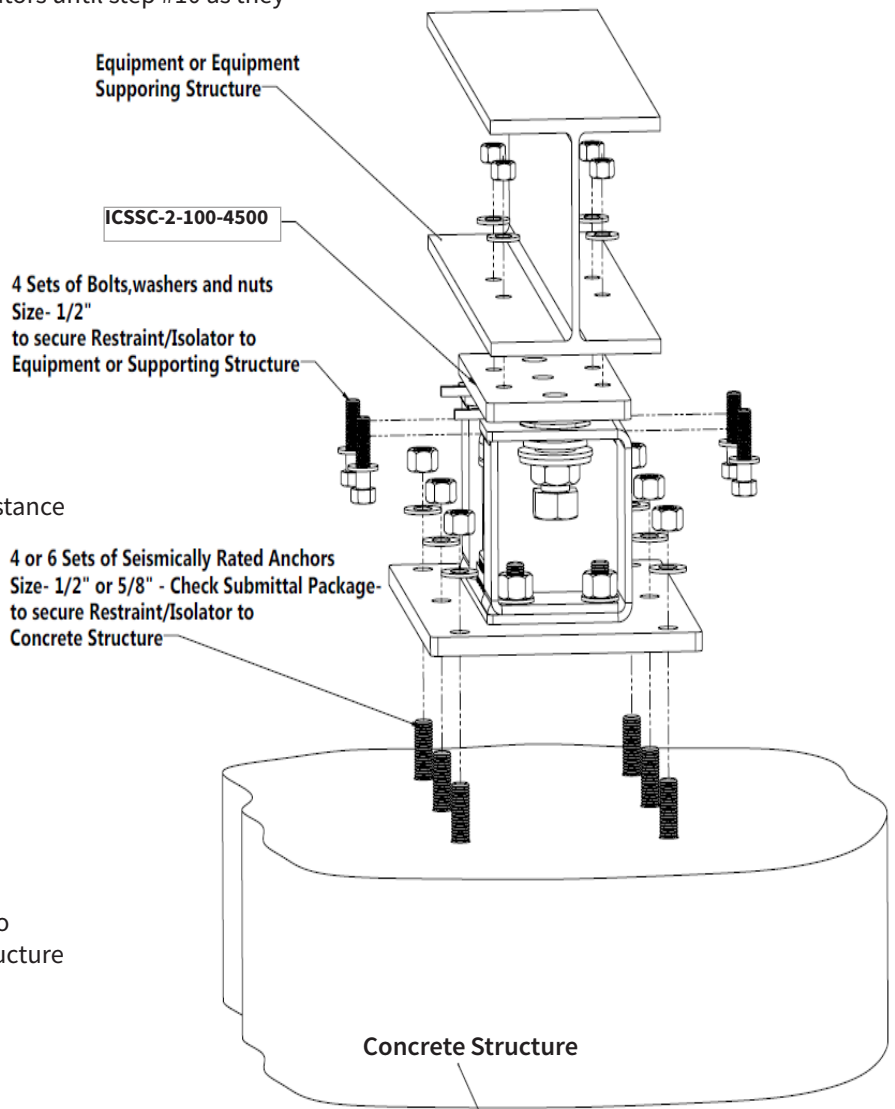
2. Refer to submittal package prepared by ISOTECH Industries and locate each isolator based on model# and identification tag provided

3. Secure Isolators to the supporting concrete structure using (4) four or (6) six sets of seismically rated concrete anchors.

a. Refer to submittal package for anchor size, edge distance anchor embedment and concrete structure thickness

4. Mark isolator anchor holes on concrete structure and follow anchor manufacturer's instructions on hole preparation, hole cleaning procedures, anchor installations and required torque value on anchor nuts- secure each isolator to concrete structure

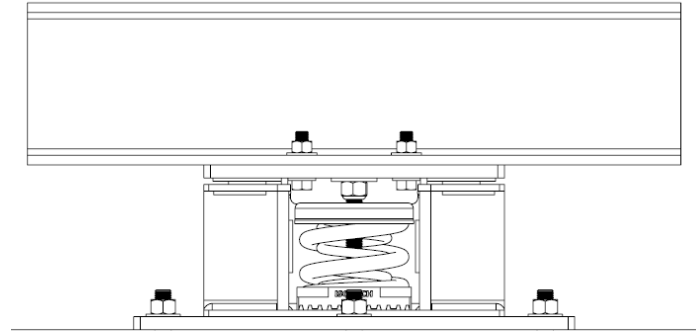
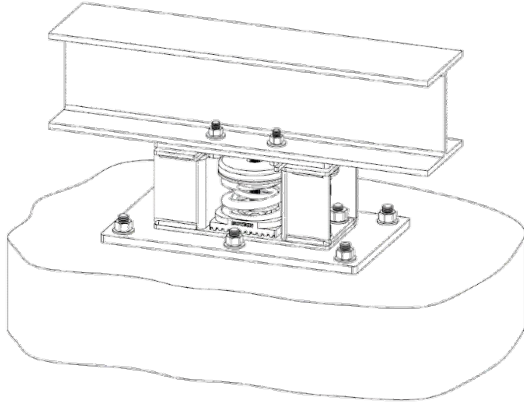
5. Use crane, gantry or other proper lifting machine to elevate equipment and/or equipment supporting structure



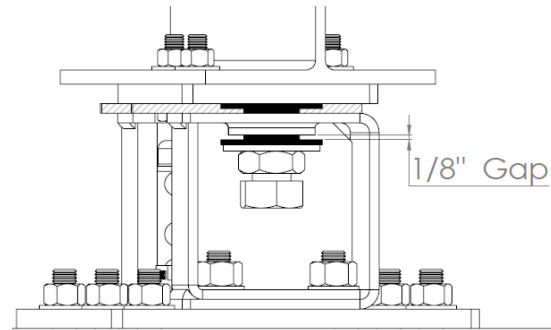
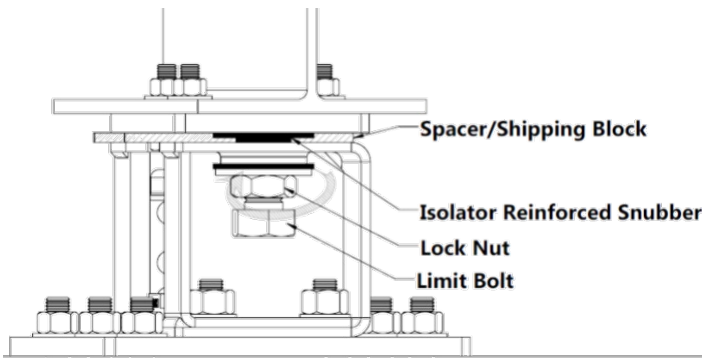
PROJECT INFORMATION		EQUIPMENT INFORMATION		Canada location	USA Location
Customer:		Type:		35 Silton Road Woodbridge ON L4L 7Z8 CANADA T: 905-856-5001	3021 E Coronado St. Anaheim, CA, 92806 U.S.A T: 949-788-2930
Project:		Qty Required:			
Drawing No:		Operating Weight:			
Notes:				Tool free : 1-888-831-3311 www.isotechindustries.com	



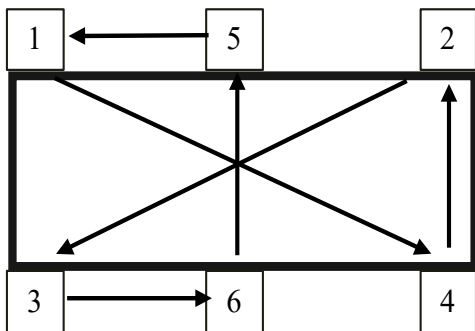
6. Carefully lower the equipment and/or equipment supporting structure and properly locate it on top of isolators. Use (4) four sets of 1/2" dia. bolts, nuts and washers to secure the equipment and/or equipment supporting structure to each isolator



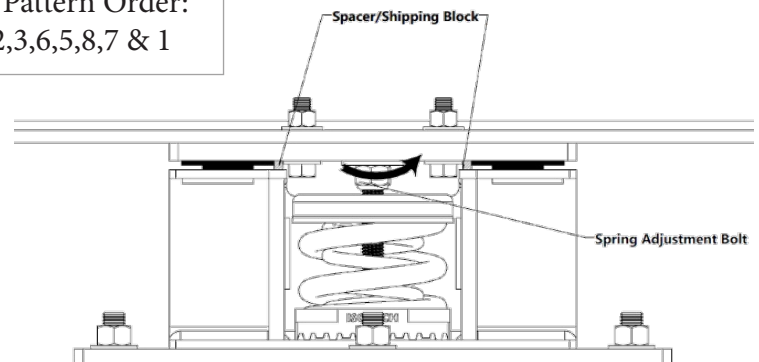
7. Ensure isolator top plate is fully covered by equipment and/or equipment supporting structure as shown in pictures below. For installations where less than 80% of isolator top plate is covered, refer to Step 11 shown on the third page:



8. Loosen the two Lock Nuts located inside each stanchion as shown in the picture and move it down to have 1/8" gap between washer and bottom of Reinforced Rubber Washer



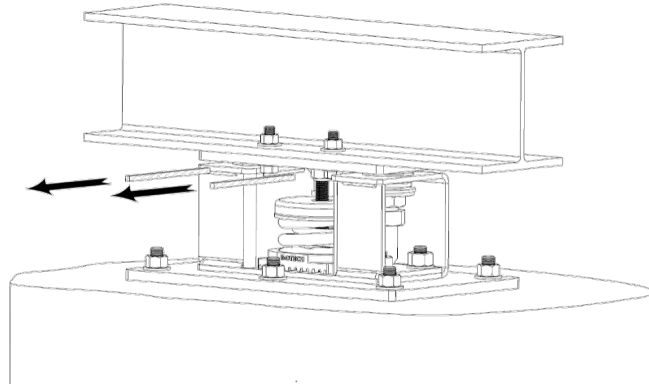
Star Pattern Order:
1,4,2,3,6,5,8,7 & 1



PROJECT INFORMATION		EQUIPMENT INFORMATION		Canada location	USA Location
Customer:		Type:		35 Siltan Road Woodbridge ON L4L 7Z8 CANADA T: 905-856-5001	3021 E Coronado St. Anaheim, CA.,92806 U.S.A T: 949-788-2930
Project:		Qty Required:			
Drawing No:		Operating Weight:			
Notes:					Tool free : 1-888-831-3311 www.isotechindustries.com



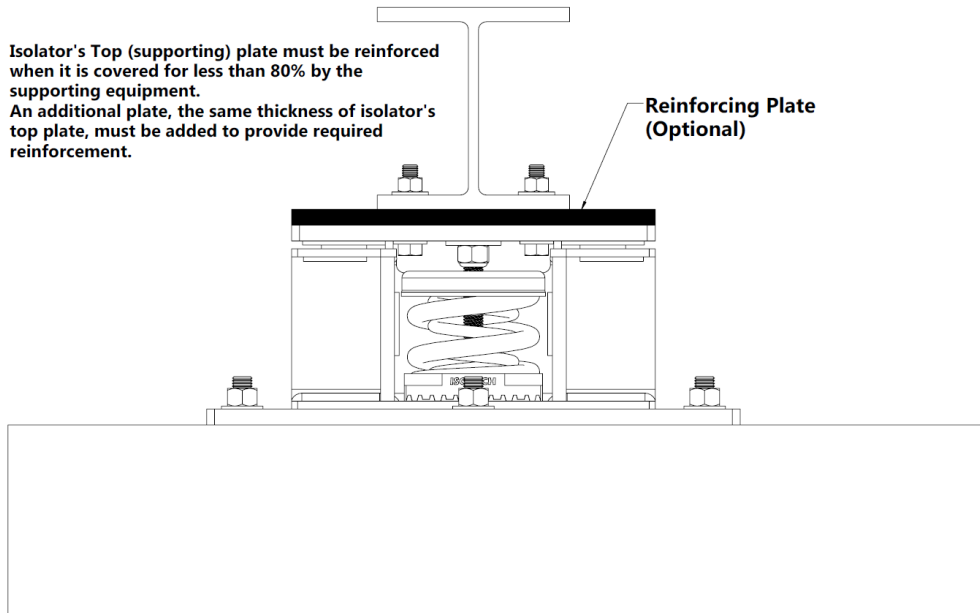
9. With Spacers/ Shipping Blocks in place, follow star pattern sequence shown below and turn Spring Adjustment Bolt one or two turns on each isolator. DO NOT turn Spring Adjustment Bolt more than two turns at a time



10. Follow Star Pattern Sequence until Spacers/ Shipping Blocks can be moved easily

11. Installations where Equipment supporting structure or equipment footing covers less than 80% of isolator top plate:

- Add a reinforcing plate, with the same dimensions of isolator top plate, on top of isolator top plate as shown below:



- Continue Installation by following Step 8 through 10

PROJECT INFORMATION		EQUIPMENT INFORMATION		Canada location	USA Location
Customer:		Type:		35 Silton Road Woodbridge ON L4L 7Z8 CANADA T: 905-856-5001	3021 E Coronado St. Anaheim, CA.,92806 U.S.A T: 949-788-2930
Project:		Qty Required:			
Drawing No:		Operating Weight:			
Notes:				Tool free : 1-888-831-3311 www.isotechindustries.com	

