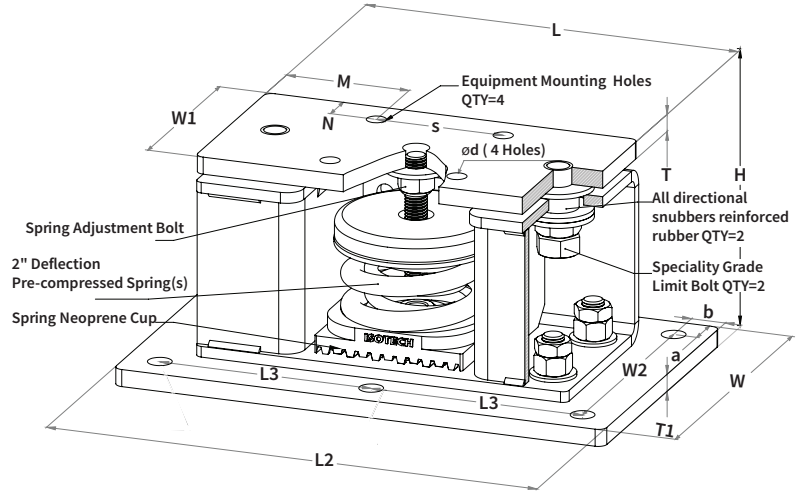


SPECIFICATIONS: ICSSC-2" DEFLECTION RATED RESTRAINED SPRING FOR ATTACHMENT TO CONCRETE STRUCTURE

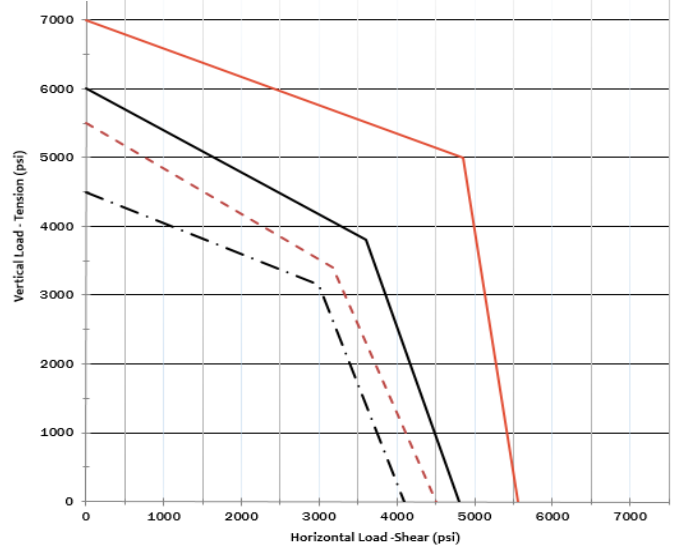
Model	Rated Load		Rated Deflection		Spring Color		Approx. WT.	
	lbf.	kN	in	mm	outer	inner	lbs.	kg
ICSSC-2-100	100	0.445	2.0	50.8	RED	---	47.88	21.72
ICSSC-2-200	200	0.89	2.0	50.8	RED	GREY	47.98	21.77
ICSSC-2-300	300	1.335	2.0	50.8	RED	ORANGE	48.18	21.86
ICSSC-2-400	400	1.78	2.0	50.8	RED	YELLOW	48.28	21.9
ICSSC-2-500	500	2.225	2.0	50.8	RED	GREEN	48.38	21.95
ICSSC-2-600	600	2.669	2.0	50.8	BROWN	GREY	48.48	22.00
ICSSC-2-800	800	3.559	2.0	50.8	BLUE	---	48.68	22.09
ICSSC-2-1000	1000	4.449	2.0	50.8	GREEN	---	48.78	22.13
ICSSC-2-1200	1200	5.338	2.0	50.8	GREEN	ORANGE	49.38	22.4
ICSSC-2-1500	1500	6.673	2.0	50.8	GREY	---	49.18	22.31
ICSSC-2-1800	1800	8.007	2.0	50.8	GREY	YELLOW	49.68	22.54
ICSSC-2-2000	2000	8.897	2.0	50.8	GREY	WHITE	49.28	22.36
ICSSC-2-2200	2300	9.787	2.0	50.8	GREY	RED	49.88	22.63
ICSSC-2-2500	2500	11.121	2.0	50.8	ORANGE	---	49.48	22.45
ICSSC-2-2800	2800	12.455	2.0	50.8	ORANGE	YELLOW	50.28	22.81
ICSSC-2-3000	3000	13.345	2.0	50.8	BLACK	---	49.88	22.63
ICSS-2-3500	3500	15.569	2.0	50.8	BLACK	WHITE	50.68	22.99
ICSSC-2-3800	3800	16.904	2.0	50.8	BLACK	RED	51.08	23.17
ICSSC-2-4000	4000	17.793	2.0	50.8	BLACK	BLUE	51.28	23.27
ICSSC-2-4500	4500	20.017	2.0	50.8	BLACK	BROWN	60.58	27.48



* Load Capacity Envelope: Concrete loads are based on 4000 psi reinforced concrete with minimum 6" edge distance and can be considered for non seismic applications only.

ICSSC- 2-100-4500 Load Capacity Envelope

- Attached to concrete structure with (6) 5/8" Hilti KB TZ (4" Embedment) -6" slab
- - Attached to concrete structure with (4) 5/8" Hilti KB TZ (4" Embedment) -6" slab
- Attached to concrete structure with (6) 1/2" Hilti KB TZ (3 1/4" Embedment) -6" slab
- - Attached to concrete structure with (6) 1/2" Hilti KB TZ (2" Embedment) -6" slab



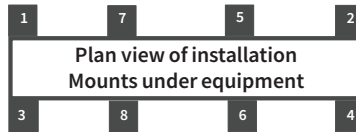
Model

DIMENSION : ICSSC-2-100-4500

L1		L2		L3		T & T1	
in	mm	in	mm	in	mm	in	mm
11	280	14 1/2	369	6 1/4	159	1/2	13
W		W1		W2		ø D	
in	mm	in	mm	in	mm	in	mm
9 1/8	232	5 3/8	143	7 1/8	181	1 1/16	18
H		M		N		S	
in	mm	in	mm	in	mm	in	mm
6 3/8	162	3 3/4	96	1 1/16	18	4	102
a		b		ø d		SPRING BOLT ADJUSTMENT	
in	mm	in	mm	in	mm		
1	25	1	25	3/16	15	3/8"	

ISOLATOR'S LOCATIONS

1:	5:
2:	6:
3:	7:
4:	8:



Notes:

- ICSSC-2-100-4500 isolators are all Pre-Compressed to allow the lowest overall installation height and to offer significant labor saving during installation
- All springs have additional travel to solid equal to 50% of the Rated Deflection with minimum Kx/Ky ratio of 1.0 - All Elements are safe at solid load
- Spring(s) are powder - coated to provide maximum corrosion resistance , and are color-coded for easy identification at site - see table above
- Hot-Dip Galvanized finish for Housing to offer maximum corrosion resistance for isolator - Hardware and Spring Compression Cup are zinc -electroplated
- ICSSC-2-100-4500 isolators are designed to allow replacement of reinforced rubber snubber without disturbing equipment. Reinforced rubber snubbers are installed to prevent metal to metal contact
- 1/2" THK plate, with the same dimensions of isolator top plate, must be installed on top of isolator, when less than 80% of isolator's top plate is covered

PROJECT INFORMATION		EQUIPMENT INFORMATION		Canada location	USA Location
Customer:		Type:		35 Siltan Road Woodbridge ON L4L 7Z8 CANADA T: 905-856-5001	3021 E Coronado St. Anaheim, CA, 92806 U.S.A T: 949-788-2930
Project:		Qty Required:			
Drawing No:		Operating Weight:			
Notes:					

Tool free : 1-888-831-3311
www.isotechindustries.com

