

INSTALLATION INSTRUCTIONS

ICSS-5-200-5000 Restraint/Isolators are Pre-Compressed products. Isolator Top plate is under pressure caused by compressed springs. The following steps must be followed carefully for proper installation:

1. **Do not remove** Spacers/Shipping Blocks from isolators until **step #10** as they are the key indicators for proper adjustment on springs
2. Refer to submittal package prepared by ISOTECH Industries and locate each isolator based on model # and identification tag provided
3. Secure Isolators to the supporting structure using (4) four 5/8" dia. bolts.
 - a. Refer to submittal package if isolators are supported by concrete structure for anchor size and installation instructions
4. Use crane, gantry or other proper lifting machine to elevate equipment and/or equipment supporting structure
5. Carefully lower the equipment and/or equipment supporting structure and properly locate it on top of isolators. Use
 - (2) two 1/2" dia. bolts to secure the equipment and/or equipment supporting structure to each isolator
6. **DO NOT** shift or move isolators laterally When equipment weight is supported by isolators.
7. Ensure isolator top plate is fully covered by equipment and/or equipment supporting structure as shown in pictures below. For installations
 - where less than 80% of isolator top plate is covered, refer to Step 11 shown on the third page:

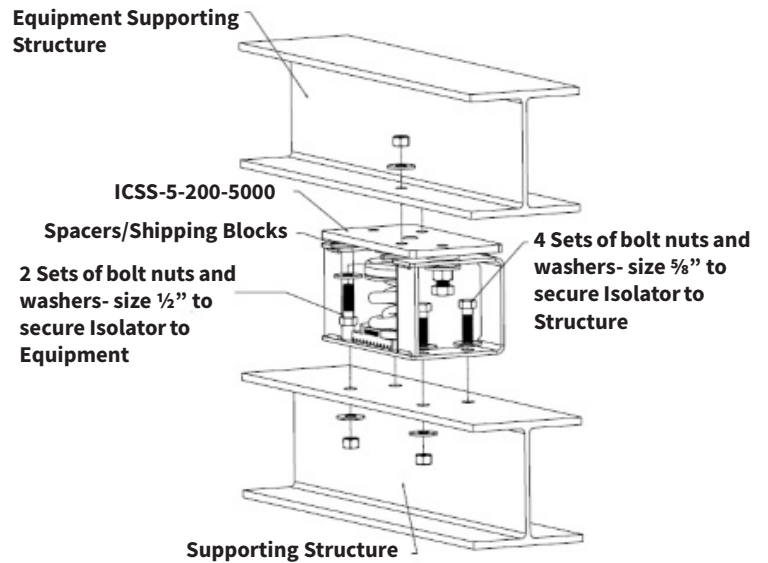


Fig 1.

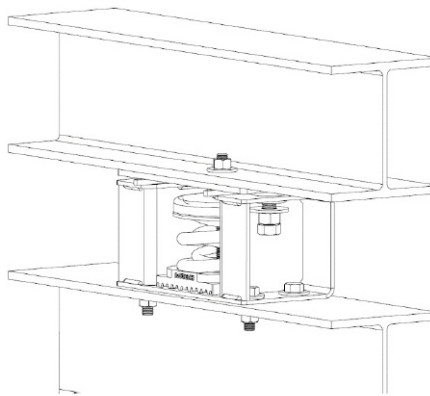


Fig 2.

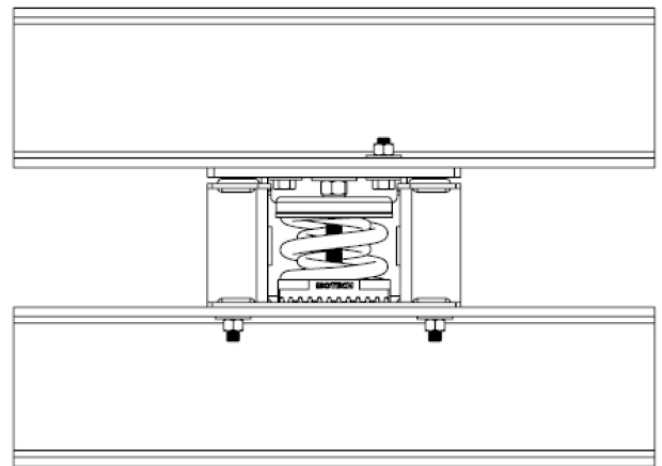


Fig 3.

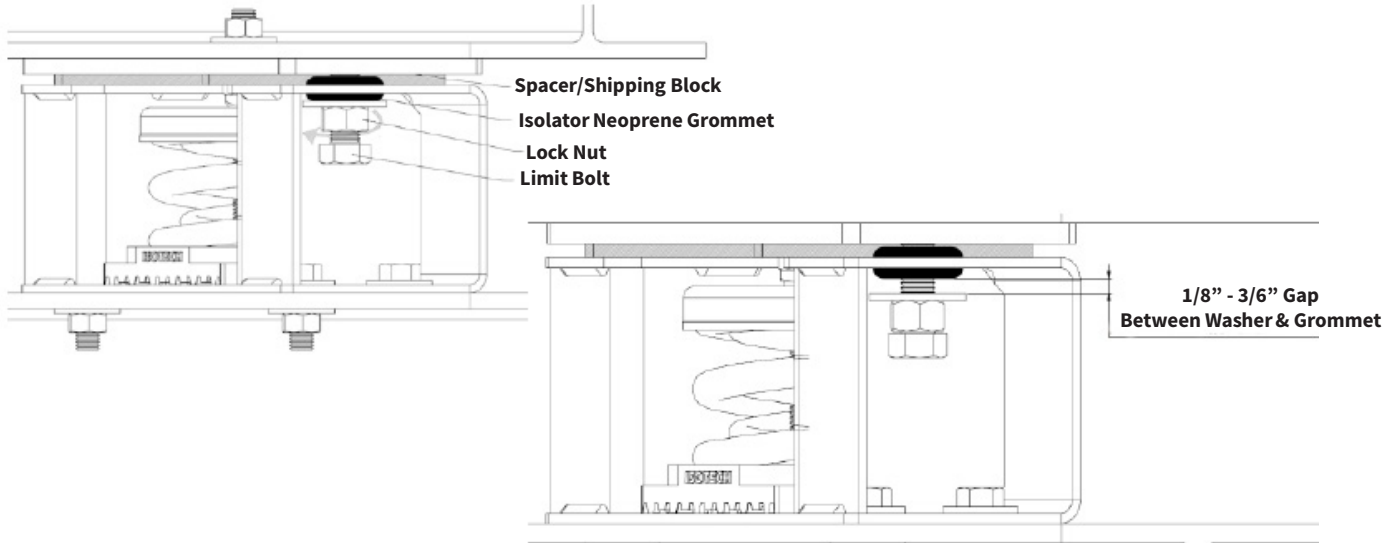
PROJECT INFORMATION		EQUIPMENT INFORMATION		Canada location	USA Location
Customer:		Type:		35 Silton Road Woodbridge ON L4L 7Z8 CANADA T: 905-856-5001	3021 E Coronado St. Anaheim, CA.,92806 U.S.A T: 949-788-2930
Project:		Qty Required:			
Drawing No:		Operating Weight:			
Notes:				Tool free : 1-888-831-3311 www.isotechindustries.com	



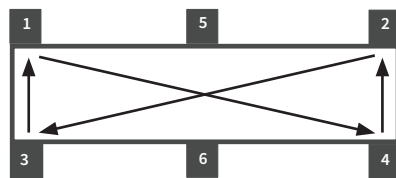
INSTALLATION INSTRUCTIONS

ICSS-5-200-5000 Restraint/Isolators are Pre-Compressed products. Isolator Top plate is under pressure caused by compressed springs. The following steps must be followed carefully for proper installation:

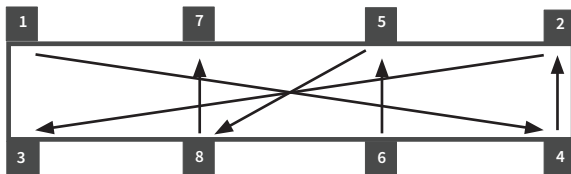
8. Loosen the two **Lock Nuts** located inside each stanchion as shown in the picture and move it down to have 1/8" to 3/16" gap between washer and bottom of **Isolator Neoprene Grommet**



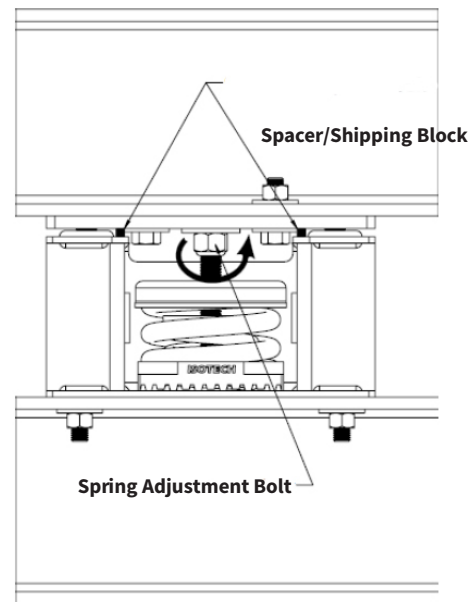
9. With Spacers/ Shipping Blocks in place, follow star pattern sequence shown below and turn **Spring Adjustment Bolt** one or two turns on each isolator. DO NOT turn **Spring Adjustment Bolt** more than two turns at a time



STAR PATTERN ORDER: 1, 4, 2, 3, & 1



STAR PATTERN ORDER: 1, 4, 2, 3, 6, 5, 8, 7, & 1



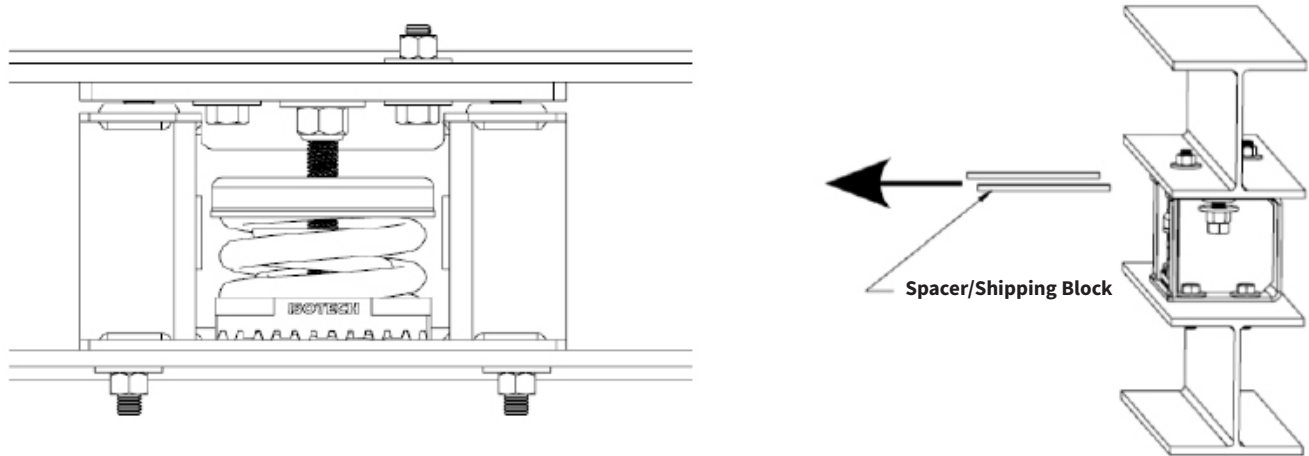
PROJECT INFORMATION		EQUIPMENT INFORMATION		Canada location	USA Location
Customer:		Type:		35 Silton Road Woodbridge ON L4L 7Z8 CANADA T: 905-856-5001	3021 E Coronado St. Anaheim, CA.,92806 U.S.A T: 949-788-2930
Project:		Qty Required:			
Drawing No:		Operating Weight:			
Notes:				Tool free : 1-888-831-3311 www.isotechindustries.com	



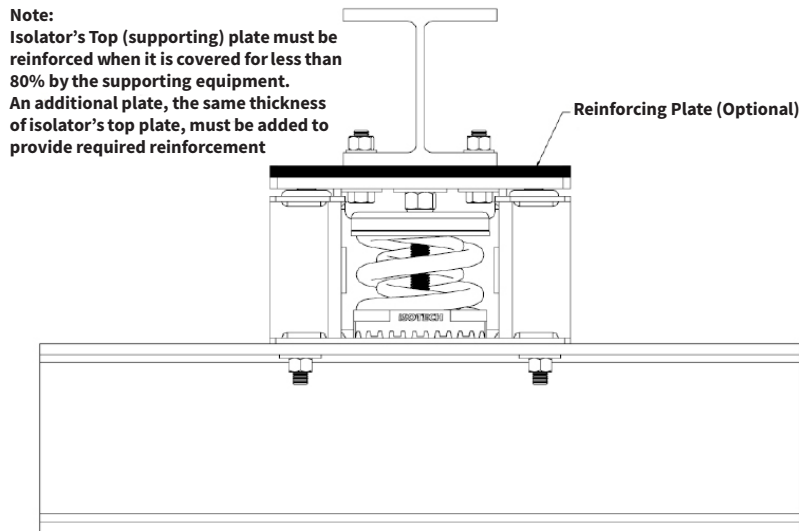
INSTALLATION INSTRUCTIONS

ICSS-5-200-5000 Restraint/Isolators are Pre-Compressed products. Isolator Top plate is under pressure caused by compressed springs. The following steps must be followed carefully for proper installation:

10. Follow Star Pattern Sequence until Spacers/ Shipping Blocks can be removed easily



11. Installations where Equipment supporting structure or equipment footing covers less than 80% of isolator top plate:
 • Add a reinforcing plate, with the same dimensions of isolator top plate, on top of isolator top plate as shown below:



• Continue Installation by following Steps 8 through 10

PROJECT INFORMATION		EQUIPMENT INFORMATION		Canada location	USA Location
Customer:		Type:		35 Silton Road Woodbridge ON L4L 7Z8 CANADA T: 905-856-5001	3021 E Coronado St. Anaheim, CA.,92806 U.S.A T: 949-788-2930
Project:		Qty Required:			
Drawing No:		Operating Weight:			
Notes:				Tool free : 1-888-831-3311 www.isotechindustries.com	

