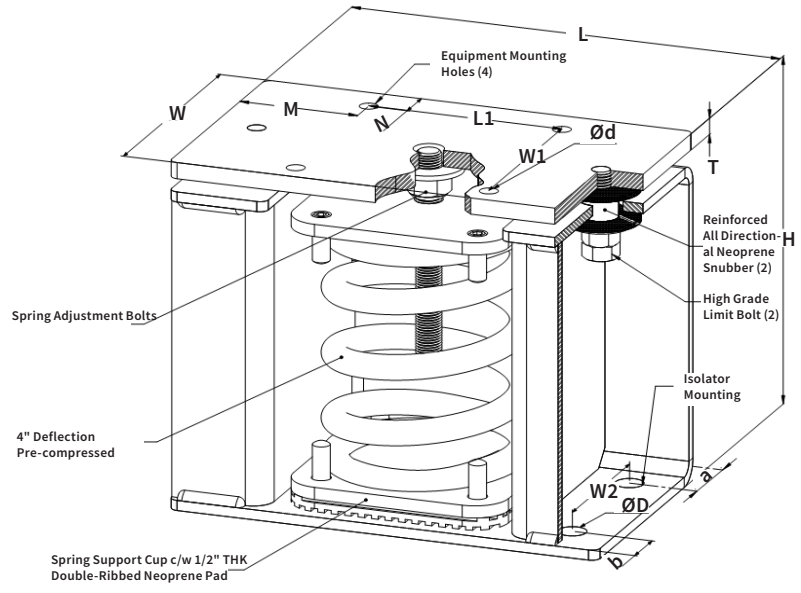


SPECIFICATIONS : ICSS-4" DEFLECTION RESTRAINED SPRING ISOLATOR

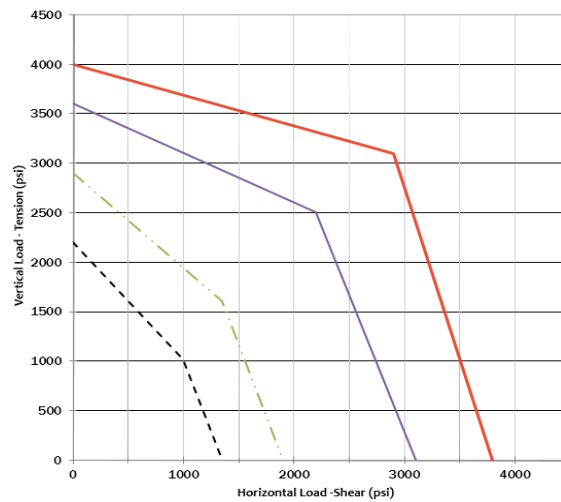
| Model | Rated Load | | Rated Deflection | | Spring Color | | Approx. WT. | |
|-------------|------------|--------|------------------|-------|--------------|--------|-------------|-------|
| | lbf. | kN | in | mm | outer | inner | lbs. | kg |
| ICSS-4-100 | 100 | 0.445 | 4.0 | 102.0 | YELLOW | --- | 93.50 | 42.42 |
| ICSS-4-200 | 200 | 0.89 | 4.0 | 102.0 | GREEN | --- | 94.00 | 42.64 |
| ICSS-4-300 | 300 | 1.335 | 4.0 | 102.0 | GREEN | BLUE | 96.00 | 43.55 |
| ICSS-4-400 | 400 | 1.78 | 4.0 | 102.0 | GREEN | WHITE | 96.50 | 43.78 |
| ICSS-4-500 | 500 | 2.225 | 4.0 | 102.0 | WHITE | --- | 97.00 | 44 |
| ICSS-4-600 | 600 | 2.669 | 4.0 | 102.0 | WHITE | BLUE | 98.00 | 44.46 |
| ICSS-4-800 | 800 | 3.559 | 4.0 | 102.0 | WHITE | RED | 99.00 | 44.91 |
| ICSS-4-1000 | 1000 | 4.449 | 4.0 | 102.0 | ORANGE | --- | 100.00 | 45.36 |
| ICSS-4-1200 | 1200 | 5.338 | 4.0 | 102.0 | ORANGE | WHITE | 102.00 | 46.27 |
| ICSS-4-1500 | 1500 | 6.673 | 4.0 | 102.0 | GREY | --- | 103.00 | 46.72 |
| ICSS-4-1800 | 1800 | 8.007 | 4.0 | 102.0 | GREY | RED | 103.50 | 46.95 |
| ICSS-4-2000 | 2000 | 8.897 | 4.0 | 102.0 | RED | --- | 104.00 | 47.18 |
| ICSS-4-2300 | 2300 | 9.787 | 4.0 | 102.0 | RED | RED | 106.00 | 48.09 |
| ICSS-4-2500 | 2500 | 11.121 | 4.0 | 102.0 | RED | YELLOW | 107.00 | 48.54 |
| ICSS-4-2800 | 2800 | 12.455 | 4.0 | 102.0 | BLUE | --- | 108.00 | 48.99 |
| ICSS-4-3000 | 3000 | 13.345 | 4.0 | 102.0 | BROWN | --- | 111.00 | 50.35 |
| ICSS-4-3500 | 3500 | 15.569 | 4.0 | 102.0 | BROWN | YELLOW | 112.00 | 50.81 |
| ICSS-4-3800 | 3800 | 16.904 | 4.0 | 102.0 | BLACK | --- | 112.00 | 50.81 |
| ICSS-4-4000 | 4000 | 17.793 | 4.0 | 102.0 | BLACK | WHITE | 114.00 | 51.71 |
| ICSS-4-4500 | 4500 | 20.017 | 4.0 | 102.0 | BLACK | GREY | 116.00 | 52.62 |
| ICSS-4-5000 | 5000 | 22.241 | 4.0 | 102.0 | BLACK | BROWN | 118.00 | 53.52 |



* Load Capacity Envelope: Concrete loads are based on 4000 psi reinforced concrete with minimum 6" edge distance and can be considered for non seismic applications only.

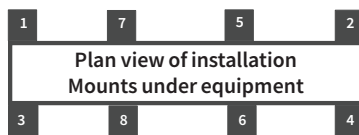
ICSS-4-100-5000 LOAD CAPACITY ENVELOPE

- Attached to Steel Structure with (4) 5/8" Bolts(Grade 5) and Nuts
- - Attached to Concrete Structure with (2) 1/2" Hilti KB TZ (2" Embedment) -4" Slab
- Attached to Concrete Structure with (2) 5/8" Hilti KB TZ 4" Embedment -6" Slab
- Attached to steel structure with (4) 1/2" Bolts(Grade 5) and Nuts



| Model | | | | | |
|-----------------------------|-----|------------------------|-----|--------|-----|
| DIMENSION : ICSS-4-100-5000 | | | | | |
| L | | W | | W1 | |
| in | mm | in | mm | in | mm |
| 12 3/4 | 324 | 7 7/8 | 193 | 5 3/4 | 146 |
| H | | T | | W2 | |
| in | mm | in | mm | in | mm |
| 10 3/4 | 273 | 1/2 | 13 | 4 | 102 |
| L1 | | Ø D | | | |
| in | mm | in | mm | in | mm |
| 5 3/4 | 146 | 1 3/16 | 21 | 3/16 | 15 |
| M | | N | | a | |
| in | mm | in | mm | in | mm |
| 3 1/2 | 89 | 1 1/4 | 29 | 1 1/16 | 43 |
| b | | SPRING ADJUSTMENT BOLT | | | |
| in | mm | 3/4" | | | |
| 1 3/4 | 36 | | | | |

| ISOLATOR'S LOCATIONS | |
|----------------------|----|
| 1: | 5: |
| 2: | 6: |
| 3: | 7: |
| 4: | 8: |



- Notes:**
- ICSS-4-100-5000 Isolators are all Pre-Compressed to allow the lowest overall installation height and to offer significant labor saving during installation
 - All springs have additional travel to solid equal to 50% of the Rated Deflection with minimum Kx/Ky ratio of 1.0 - All Elements are safe at solid load
 - Spring(s) are powder - coated to provide maximum corrosion resistance, and are color-coded for easy identification at site - see table above
 - Hot-Dip Galvanized finish for Housing to offer maximum corrosion resistance for isolator - Hardware and Spring Compression Cup are zinc -electroplated
 - ICSS-4-100-5000 isolators are designed to allow replacement of Neoprene grommet without disturbing equipment. Neoprene grommet are installed to prevent metal to metal contact
 - Same Thickness and dimensions of isolator top plate, must be installed on top of isolator, when less than 80% of isolator's top plate is covered.

| PROJECT INFORMATION | | EQUIPMENT INFORMATION | | Canada location | USA Location |
|---------------------|--|-----------------------|--|--|---|
| Customer: | | Type: | | 35 Siltan Road Woodbridge ON L4L 7Z8 CANADA T: 905-856-5001 | 3021 E Coronado St. Anaheim, CA, 92806 U.S.A T: 949-788-2930 |
| Project: | | Qty Required: | | | |
| Drawing No: | | Operating Weight: | | | |
| Notes: | Tool free : 1-888-831-3311 www.isotechindustries.com | | | | |