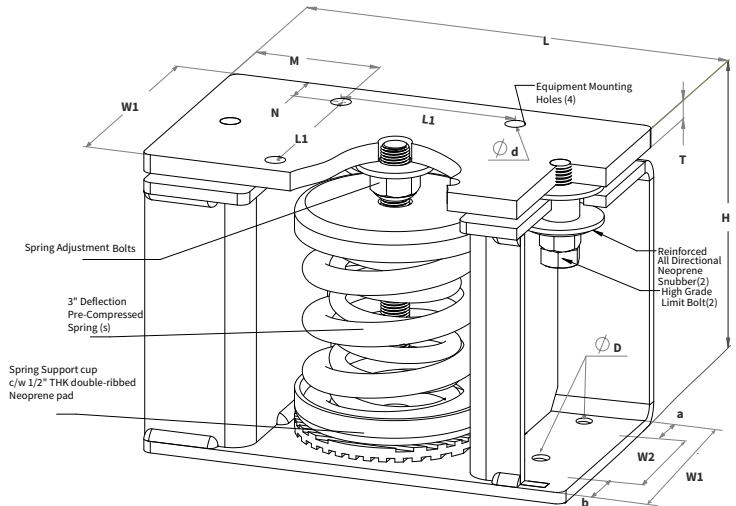


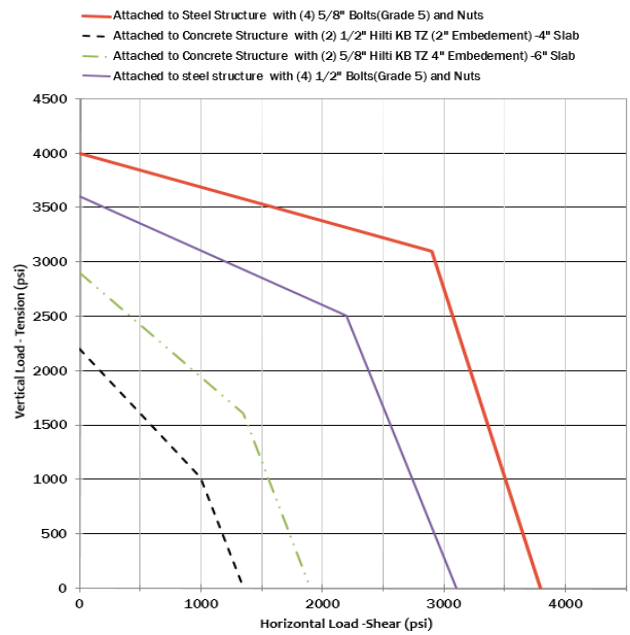
## SPECIFICATIONS : ICSS-3" SEISMICALLY RATED ISOLATOR ATTACHMENT TO STEEL STRUCTURE

| Model       | Rated Load |        | Rated Deflection |      | Spring Color |        | Approx. WT. |       |
|-------------|------------|--------|------------------|------|--------------|--------|-------------|-------|
|             | lbF.       | kN     | in               | mm   | outer        | inner  | lbs.        | kg    |
| ICSS-3-100  | 100        | 0.445  | 3.0              | 76.2 | YELLOW       | ---    | 46.50       | 21.1  |
| ICSS-3-200  | 200        | 0.89   | 3.0              | 76.2 | YELLOW       | BROWN  | 47.00       | 21.31 |
| ICSS-3-300  | 300        | 1.335  | 3.0              | 76.2 | GREEN        | ---    | 46.90       | 21.28 |
| ICSS-3-400  | 400        | 1.78   | 3.0              | 76.2 | GREEN        | BROWN  | 47.40       | 21.51 |
| ICSS-3-500  | 500        | 2.225  | 3.0              | 76.2 | BLUE         | ---    | 47.10       | 21.37 |
| ICSS-3-600  | 600        | 2.669  | 3.0              | 76.2 | BLUE         | BROWN  | 47.50       | 21.55 |
| ICSS-3-800  | 800        | 3.559  | 3.0              | 76.2 | WHITE        | ---    | 47.00       | 21.32 |
| ICSS-3-1000 | 1000       | 4.449  | 3.0              | 76.2 | ORANGE       | ---    | 47.30       | 21.46 |
| ICSS-3-1200 | 1200       | 5.338  | 3.0              | 76.2 | ORANGE       | BLACK  | 47.80       | 21.69 |
| ICSS-3-1500 | 1500       | 6.673  | 3.0              | 76.2 | BLACK        | ---    | 47.80       | 21.69 |
| ICSS-3-1800 | 1800       | 8.007  | 3.0              | 76.2 | ORANGE       | GREY   | 48.00       | 21.78 |
| ICSS-3-2000 | 2000       | 8.897  | 3.0              | 76.2 | RED          | ---    | 47.50       | 21.55 |
| ICSS-3-2300 | 2300       | 9.787  | 3.0              | 76.2 | BLACK        | GREY   | 48.10       | 21.82 |
| ICSS-3-2500 | 2500       | 11.121 | 3.0              | 76.2 | GREY         | ---    | 48.00       | 21.78 |
| ICSS-3-2800 | 2800       | 12.455 | 3.0              | 76.2 | GREY         | WHITE  | 48.80       | 21.14 |
| ICSS-3-3000 | 3000       | 13.345 | 3.0              | 76.2 | BROWN        | ---    | 48.50       | 22.00 |
| ICSS-3-3500 | 3500       | 15.569 | 3.0              | 76.2 | BROWN        | YELLOW | 49.20       | 22.32 |
| ICSN-3-3800 | 3800       | 16.904 | 3.0              | 76.2 | BROWN        | GREY   | 49.40       | 22.41 |
| ICSS-3-4000 | 4000       | 17.793 | 3.0              | 76.2 | BROWN        | RED    | 49.62       | 22.51 |
| ICSS-3-4500 | 4500       | 20.017 | 3.0              | 76.2 | BROWN        | BLUE   | 52.00       | 23.59 |



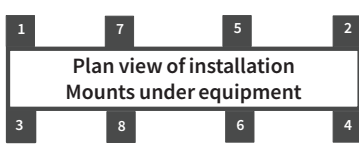
\* Load Capacity Envelope: Concrete loads are based on 4000 psi reinforced concrete with minimum 6" edge distance and can be considered for non seismic applications only.

### ICSS-3-100-4500 LOAD CAPACITY ENVELOPE



| Model                       |     |        |     |                        |     |
|-----------------------------|-----|--------|-----|------------------------|-----|
| DIMENSION : ICSS-3-100-4500 |     |        |     |                        |     |
| L                           |     | W1     |     | H                      |     |
| in                          | mm  | in     | mm  | in                     | mm  |
| 11 1/2                      | 293 | 6 3/16 | 167 | 8 1/16                 | 205 |
| T                           |     | W2     |     | ø D                    |     |
| in                          | mm  | in     | mm  | in                     | mm  |
| 1/2                         | 13  | 3 1/2  | 89  | 1/2                    | 13  |
| ø d                         |     | M      |     | N                      |     |
| in                          | mm  | in     | mm  | in                     | mm  |
| 3/16                        | 15  | 3 3/8  | 86  | 1 1/16                 | 27  |
| a                           |     | b      |     | SPRING ADJUSTMENT BOLT |     |
| in                          | mm  | in     | mm  |                        |     |
| 1 1/16                      | 43  | 1 3/8  | 36  | 3/4"                   |     |

| ISOLATOR'S LOCATIONS |  |    |  |
|----------------------|--|----|--|
| 1:                   |  | 5: |  |
| 2:                   |  | 6: |  |
| 3:                   |  | 7: |  |
| 4:                   |  | 8: |  |



### Notes:

- ICSS-3-100-4500 isolators are all Pre-compressed to allow the lowest overall installation height and to offer significant labor saving during installation
- All springs have additional travel to solid equal to 50% of the Rated Deflection with minimum Kx/Ky ratio of 1.0 - All Elements are safe at solid load
- Spring(s) are powder-coated to provide maximum corrosion resistance, and are color-coded for easy identification at site - see table above
- Hot-Dip Galvanized finish for Housing to offer maximum corrosion resistance for isolator - Hardware and Spring Compression Cup are zinc-electroplated
- ICSS-3-100-4500 isolators are designed to allow replacement of reinforced rubber snubber without disturbing equipment. Reinforced rubber snubbers are installed to prevent metal to metal contact
- Same Thickness and dimensions of isolator top plate, must be installed on top of isolator, when less than 80% of isolator's top plate is covered.

| PROJECT INFORMATION |  | EQUIPMENT INFORMATION |  | Canada location  | USA Location  |
|---------------------|--|-----------------------|--|--|---|
| Customer:           |  | Type:                 |  | 35 Siltan Road<br>Woodbridge ON<br>L4L 7Z8 CANADA<br>T: 905-856-5001                                   | 3021 E Coronado St.<br>Anaheim, CA, 92806<br>U.S.A<br>T: 949-788-2930 |
| Project:            |  | Qty Required:         |  |  |   |
| Drawing No:         |  | Operating Weight:     |  |  |   |
| Notes:              |  |                       |  | Tool free : 1-888-831-3311<br><a href="http://www.isotechindustries.com">www.isotechindustries.com</a> |   |