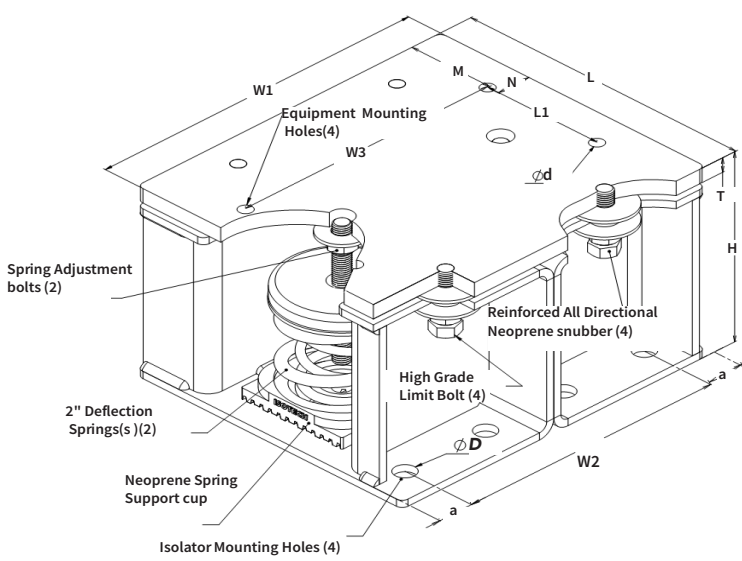
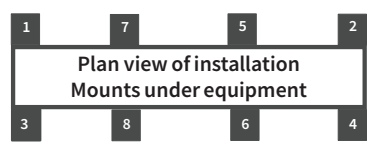


SPECIFICATIONS : ICSS-2" DEFLECTION RESTRAINED SPRING AND NEOPRENE CUP FOR ATTACHMENT TO STEEL STRUCTURE

Model	Rated Load		Rated Deflection		Spring Color		Approx. WT.	
	lb.f.	kN	in	mm	outer	inner	lbs.	kg
ICSS-2-5000	5000	22.241	2.0	50.8	ORANGE	---	99.00	44.91
ICSS-2-5600	5600	24.91	2.0	50.8	ORANGE	YELLOW	100.60	45.64
ICSS-2-6000	6000	26.69	2.0	50.8	BLACK	---	100.00	45.36
ICSS-2-6600	6600	29.359	2.0	50.8	BLACK	YELLOW	101.00	45.81
ICSS-2-7000	7000	31.138	2.0	50.8	BLACK	WHITE	101.40	46.00
ICSS-2-7600	7600	33.807	2.0	50.8	BLACK	RED	101.80	46.18
ICSS-2-8000	8000	35.586	2.0	50.8	BLACK	BLUE	102.24	46.38
ICSS-2-9000	9000	40.034	2.0	50.8	BLACK	BROWN	103.40	46.91

Model											
DIMENSION : ICSS-2-5000-9000											
L		L1		H		w1		W2		W3	
in	mm	in	mm	in	mm	in	mm	in	mm	in	mm
11	280	3 1/16	99	6	153	11 1/4	286	8 3/4	222	9 3/4	248
T		M		N		a		ød		ø D	
in	mm	in	mm	in	mm	in	mm	in	mm	in	mm
5/8	16	3 1/16	99	3/4	19	1 1/4	32	9/16	18	3/4	19
spring Adjust ment Bolt											
5/8"											

ISOLATOR'S LOCATIONS	
1:	5:
2:	6:
3:	7:
4:	8:



Notes:

- ICSS-2-5000-9000 type isolators are designed for minimum 1g lateral seismic and wind load when attached to steel structure. Housing is made from high strength steel
- ICSS-2-5000-9000 Isolators are all Pre-Compressed to allow the lowest overall installation height and to offer significant labor saving during installation
- All springs have additional travel to solid equal to 50% of the Rated Deflection with minimum Kx/Ky ratio of 1.0 - All Elements are safe at solid load
- Spring(s) are powder - coated to provide maximum corrosion resistance , and are color-coded for easy identification at site - see table above
- Hot-Dip Galvanized finish for Housing to offer maximum corrosion resistance for isolator - Hardware and Spring Compression Cup are zinc -electroplated
- ICSS-2-5000-9000 isolators are designed to allow replacement of Neoprene grommet without disturbing equipment. Neoprene grommet are installed to prevent metal to metal contact
- Same Thickness and dimensions of isolator top plate, must be installed on top of isolator, when less than 80% of isolator's top plate is covered.

PROJECT INFORMATION		EQUIPMENT INFORMATION		Canada location	USA Location
Customer:		Type:		35 Silton Road Woodbridge ON L4L 7Z8 CANADA T: 905-856-5001	3021 E Coronado St. Anaheim, CA.,92806 U.S.A T: 949-788-2930
Project:		Qty Required:			
Drawing No:		Operating Weight:			
Notes:				Tool free : 1-888-831-3311 www.isotechindustries.com	

