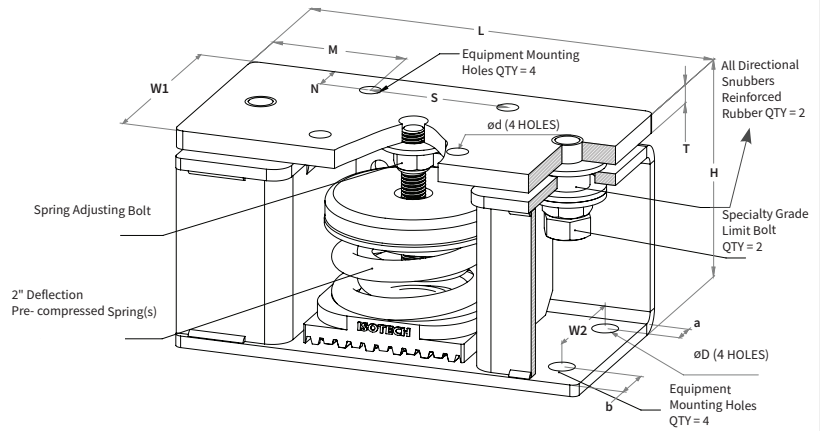
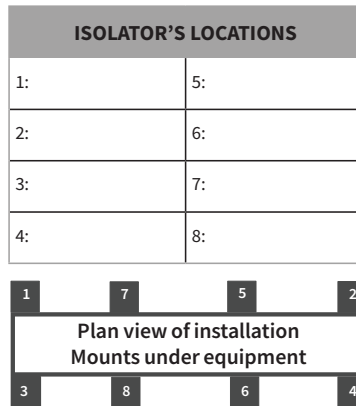


SPECIFICATIONS : ICSS-2" DEFLECTION SEISMICALLY RATED RESTRAINED SPRING FOR ATTACHMENT TO STEEL STRUCTURE								
Model	Rated Load		Rated Deflection		Spring Color		Approx. WT.	
	lb.	kN	in	mm	outer	inner	lbs.	kg
ICSS-2-100	100	0.445	2.0	50.8	RED	---	25.50	11.57
ICSS-2-200	200	0.89	2.0	50.8	RED	GREY	25.60	11.62
ICSS-2-300	300	1.335	2.0	50.8	RED	ORANGE	25.80	11.71
ICSS-2-400	400	1.78	2.0	50.8	RED	YELLOW	25.90	11.75
ICSS-2-500	500	2.225	2.0	50.8	RED	GREEN	26.00	11.8
ICSS-2-600	600	2.669	2.0	50.8	BROWN	GREY	26.10	11.84
ICSS-2-800	800	3.559	2.0	50.8	BLUE	---	26.30	11.93
ICSS-2-1000	1000	4.449	2.0	50.8	GREEN	---	26.40	11.98
ICSS-2-1200	1200	5.338	2.0	50.8	GREEN	ORANGE	27.00	12.25
ICSS-2-1500	1500	6.673	2.0	50.8	GREY	---	26.80	12.16
ICSS-2-1800	1800	8.007	2.0	50.8	GREY	YELLOW	27.30	12.39
ICSS-2-2000	2000	8.897	2.0	50.8	GREY	WHITE	26.90	12.21
ICSS-2-2300	2300	9.787	2.0	50.8	GREY	RED	27.50	12.48
ICSS-2-2500	2500	11.121	2.0	50.8	ORANGE	---	27.10	12.3
ICSS-2-2800	2800	12.455	2.0	50.8	ORANGE	YELLOW	27.90	12.66
ICSS-2-3000	3000	13.345	2.0	50.8	BLACK	---	27.50	12.48
ICSS-2-3500	3500	15.569	2.0	50.8	BLACK	WHITE	28.30	12.84
ICSS-2-3800	3800	16.904	2.0	50.8	BLACK	RED	28.70	13.02
ICSS-2-4000	4000	17.793	2.0	50.8	BLACK	BLUE	28.90	13.11
ICSS-2-4500	4500	20.017	2.0	50.8	BLACK	BROWN	38.20	17.33

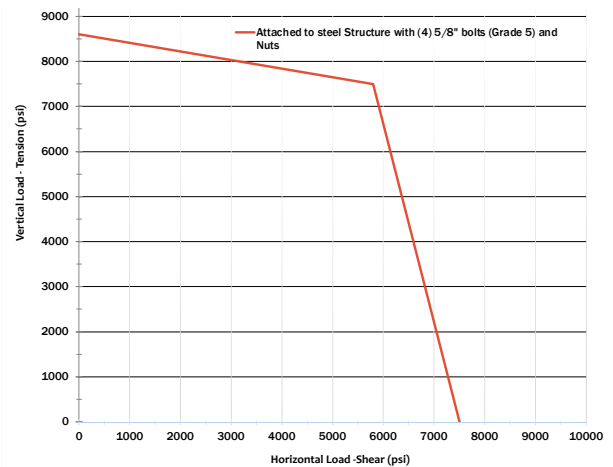


\* Load Capacity Envelope: Concrete loads are based on 4000 psi reinforced concrete with minimum 6" edge distance and can be considered for non seismic applications only.

Model						
DIMENSION : ICSS-2-100-4500						
L		W1		H		
in	mm	in	mm	in	mm	
11	279	5 1/2	143	5 1/4	150	
T		W2		ø D		
in	mm	in	mm	in	mm	
1/2	13	3 1/4	80	1 1/8	18	
ø d		M		N		
in	mm	in	mm	in	mm	
3/8	15	3 3/4	93	1	26	
a		b		Spring Adjustment Bolt		
in	mm	in	mm	5/8"		
1 1/4	32	1 1/4	32			



ICSS-2-100-4500 Load Capacity Envelope - Attached to Steel Structure



- Notes:**
- ICSS-2-100-4500 isolators are all Pre-Compressed to allow the lowest overall installation height and to offer significant labor saving during installation
  - All springs have additional travel to solid equal to 50% of the Rated Deflection with minimum Kx/Ky ratio of 1.0 - All Elements are safe at solid load
  - Spring(s) are powder - coated to provide maximum corrosion resistance , and are color-coded for easy identification at site - see table above
  - Hot-Dip Galvanized finish for Housing to offer maximum corrosion resistance for isolator - Hardware and Spring Compression Cup are zinc -electroplated
  - ICSS-2-100-4500 isolators are designed to allow replacement of reinforced rubber snubber without disturbing equipment. Reinforced rubber snubbers are installed to prevent metal to metal contact.
  - Same thickness plate, with the same dimensions of isolator top plate, must be installed on top of isolator, when less than 80% of isolator's top plate is covered.

PROJECT INFORMATION		EQUIPMENT INFORMATION		Canada location	USA Location
Customer:		Type:		35 Siltan Road Woodbridge ON L4L 7Z8 CANADA T: 905-856-5001	3021 E Coronado St. Anaheim, CA.,92806 U.S.A T: 949-788-2930
Project:		Qty Required:			
Drawing No:		Operating Weight:			
Notes:					



Tool free : 1-888-831-3311  
www.isotechindustries.com