

SPECIFICATIONS : ICSN-5" DEFLECTION RESTRAINED SPRING ISOLATOR

Model	Rated Load		Rated Deflection		Spring Color		Approx. WT.	
	lbf.	kN	in	mm	outer	inner	lbs.	kg
ICSN-5-200	200	0.89	5.0	127.0	ORANGE	---	156.00	70.76
ICSN-5-500	500	2.225	5.0	127.0	BLUE	---	158.00	71.67
ICSN-5-1000	1000	4.449	5.0	127.0	RED	---	161.00	73.03
ICSN-5-1500	1500	6.673	5.0	127.0	RED	YELLOW	161.00	73.03
ICSN-5-2000	2000	8.897	5.0	127.0	GREEN	---	163.00	73.94
ICSN-5-2500	2500	11.121	5.0	127.0	GREEN	YELLOW	162.00	73.48
ICSN-5-3000	3000	13.345	5.0	127.0	GREY	---	163.00	73.94
ICSN-5-3500	3500	15.569	5.0	127.0	BLACK	---	164.00	73.39
ICSN-5-4000	4000	17.793	5.0	127.0	BLACK	YELLOW	165.00	74.84
ICSN-5-4500	4500	20.017	5.0	127.0	WHITE	---	166.00	75.30
ICSN-5-5000	5000	22.793	5.0	127.0	BROWN	---	167.00	75.75

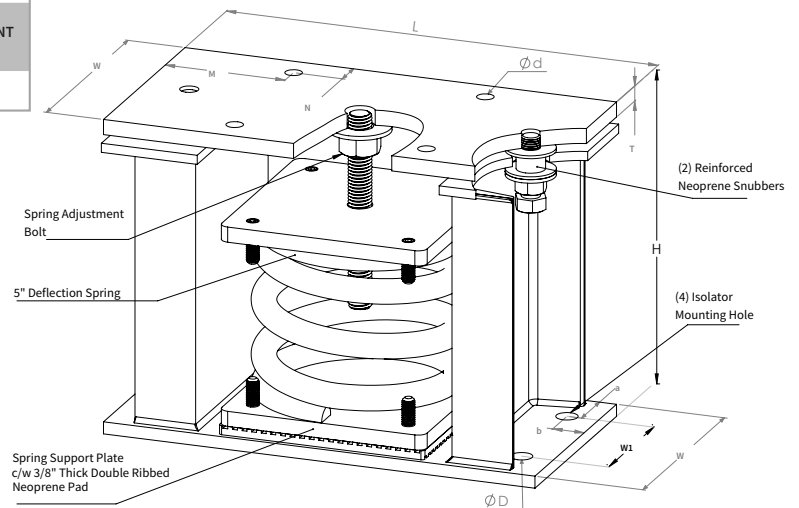
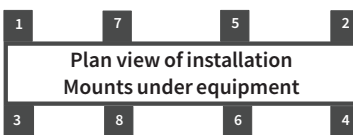
Model

DIMENSION : ICSN-5-200-5000

L		W		W1		H		T		W2	
in	mm	in	mm	in	mm	in	mm	in	mm	in	mm
18.0	458	9.0	229	6 ½	165	13	330	5/8	16	5.0	127
ø D		ø d		M		N		a		SPRING ADJUSTMENT BOLTS	
in	mm	in	mm	in	mm	in	mm	in	mm		
1 ¾	21	1 ½	18	5.0	13	1 ¼	32	2	51	1"	

ISOLATOR'S LOCATIONS

1:	5:
2:	6:
3:	7:
4:	8:



Notes:

- ICSN-5-200-5000 Isolators are all Pre-Compressed to allow the lowest overall installation height and to offer significant labor saving during installation
- All springs have additional travel to solid equal to 50% of the Rated Deflection with minimum Kx/Ky ratio of 1.0 - All Elements are safe at solid load
- Spring(s) are powder - coated to provide maximum corrosion resistance , and are color-coded for easy identification at site - see table above
- Powder-coated finish for Housing Spring Compression Plate and Spring Support Plate to offer maximum corrosion resistance for isolator - Hardware are zinc -electroplated
- ICSN-5-200-5000 isolators are designed to allow replacement of Reinforced Snubber without disturbing equipment. Reinforced Snubbers are installed to prevent metal to metal contact
- Same thickness plate, with the same dimensions of isolator top plate, must be installed on top of isolator, when less than 80% of isolator's top plate is covered

PROJECT INFORMATION		EQUIPMENT INFORMATION		Canada location	USA Location
Customer:		Type:		35 Siltan Road Woodbridge ON L4L 7Z8 CANADA T: 905-856-5001	3021 E Coronado St. Anaheim, CA.,92806 U.S.A T: 949-788-2930
Project:		Qty Required:			
Drawing No:		Operating Weight:			
Notes:				Tool free : 1-888-831-3311 www.isotechindustries.com	

