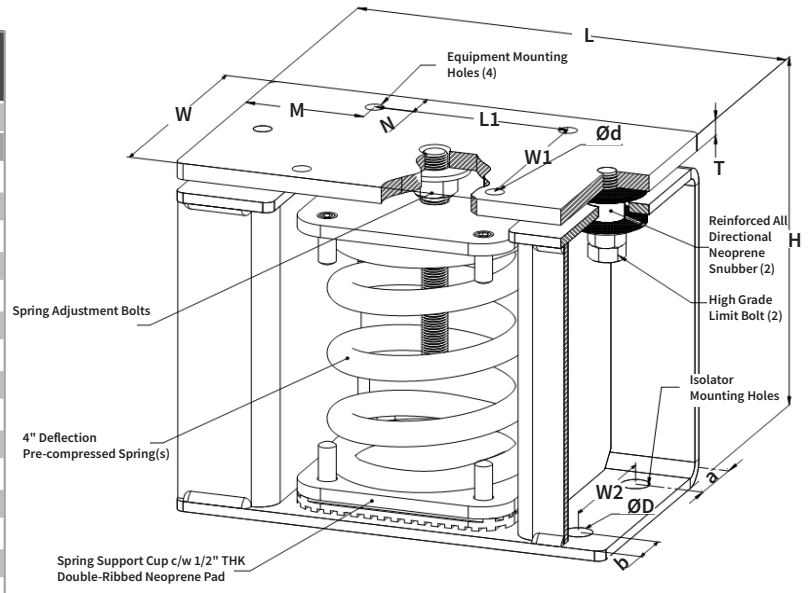


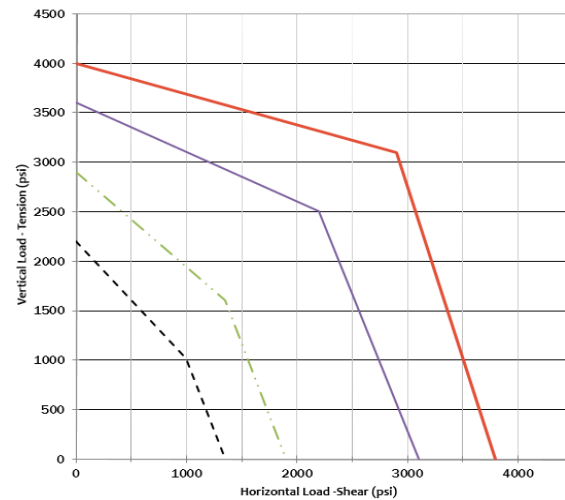
SPECIFICATIONS : ICSN-4" DEFLECTION RESTRAINED SPRING ISOLATOR								
Model	Rated Load		Rated Deflection		Spring Color		Approx. WT.	
	lbf.	kN	in	mm	outer	inner	lbs.	kg
ICSN-4-100	100	0.445	4.0	102.0	YELLOW	---	93.50	42.42
ICSN-4-200	200	0.89	4.0	102.0	GREEN	---	94.00	42.64
ICSN-4-300	300	1.335	4.0	102.0	GREEN	BLUE	96.00	43.55
ICSN-4-400	400	1.78	4.0	102.0	GREEN	WHITE	96.50	43.78
ICSN-4-500	500	2.225	4.0	102.0	WHITE	---	97.00	44
ICSN-4-600	600	2.669	4.0	102.0	WHITE	BLUE	98.00	44.46
ICSN-4-800	800	3.559	4.0	102.0	WHITE	RED	99.00	44.91
ICSN-4-1000	1000	4.449	4.0	102.0	ORANGE	---	100.00	45.36
ICSN-4-1200	1200	5.338	4.0	102.0	ORANGE	WHITE	102.00	46.27
ICSN-4-1500	1500	6.673	4.0	102.0	GREY	---	103.00	46.72
ICSN-4-1800	1800	8.007	4.0	102.0	GREY	RED	103.50	46.95
ICSN-4-2000	2000	8.897	4.0	102.0	RED	---	104.00	47.18
ICSN-4-2300	2300	9.787	4.0	102.0	RED	RED	106.00	48.09
ICSN-4-2500	2500	11.121	4.0	102.0	RED	YELLOW	107.00	48.54
ICSN-4-2800	2800	12.455	4.0	102.0	BLUE	---	108.00	48.99
ICSN-4-3000	3000	13.345	4.0	102.0	BROWN	---	111.00	50.35
ICSN-4-3500	3500	15.569	4.0	102.0	BROWN	YELLOW	112.00	50.81
ICSN-4-3800	3800	16.904	4.0	102.0	BLACK	---	112.00	50.81
ICSN-4-4000	4000	17.793	4.0	102.0	BLACK	WHITE	114.00	51.71
ICSN-4-4500	4500	20.017	4.0	102.0	BLACK	GREY	116.00	52.62
ICSN-4-5000	5000	22.241	4.0	102.0	BLACK	BROWN	118.00	53.52



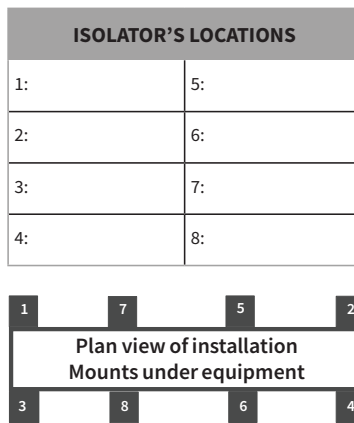
\* Load Capacity Envelope: Concrete loads are based on 4000 psi reinforced concrete with minimum 6" edge distance and can be considered for non seismic applications only.

### ICSN-4-100-5000 LOAD CAPACITY ENVELOPE

- Attached to Steel Structure with (4) 5/8" Bolts(Grade 5) and Nuts
- - Attached to Concrete Structure with (2) 1/2" Hilti KB TZ (2" Embedment) -4" Slab
- - Attached to Concrete Structure with (2) 5/8" Hilti KB TZ 4" Embedment -6" Slab
- Attached to steel structure with (4) 1/2" Bolts(Grade 5) and Nuts



Model					
DIMENSION : ICSN-4-100-5000					
L		W		W1	
in	mm	in	mm	in	mm
12 3/4	324	7 7/8	193	5 3/4	146
H		T		W2	
in	mm	in	mm	in	mm
10 3/4	273	1/2	13	4	102
L1		ø D		ø d	
in	mm	in	mm	in	mm
5 3/4	146	1 3/16	21	9/16	15
M		N		a	
in	mm	in	mm	in	mm
3 1/2	89	1 1/8	29	1 1/16	43
b		SPRING ADJUSTMENT BOLT			
in	mm	3/4"			
1 3/8	36				



- Notes:**
- ICSN-4-100-5000 Isolators are all Pre-Compressed to allow the lowest overall installation height and to offer significant labor saving during installation
  - All springs have additional travel to solid equal to 50% of the Rated Deflection with minimum Kx/Ky ratio of 1.0 - All Elements are safe at solid load
  - Spring(s) are powder - coated to provide maximum corrosion resistance , and are color-coded for easy identification at site - see table above
  - Hot-Dip Galvanized finish for Housing to offer maximum corrosion resistance for isolator - Hardware and Spring Compression Cup are zinc -electroplated
  - ICSN-4-100-5000 isolators are designed to allow replacement of Neoprene grommet without disturbing equipment. Neoprene grommet are installed to prevent metal to metal contact
  - Same thickness plate, with the same dimensions of isolator top plate, must be installed on top of isolator, when less than 80% of isolator's top plate is covered

PROJECT INFORMATION		EQUIPMENT INFORMATION		Canada location	USA Location
Customer:		Type:		35 Siltan Road Woodbridge ON L4L 7Z8 CANADA T: 905-856-5001	3021 E Coronado St. Anaheim, CA, 92806 U.S.A T: 949-788-2930
Project:		Qty Required:			
Drawing No:		Operating Weight:			
Notes:				Tool free : 1-888-831-3311 <a href="http://www.isotechindustries.com">www.isotechindustries.com</a>	