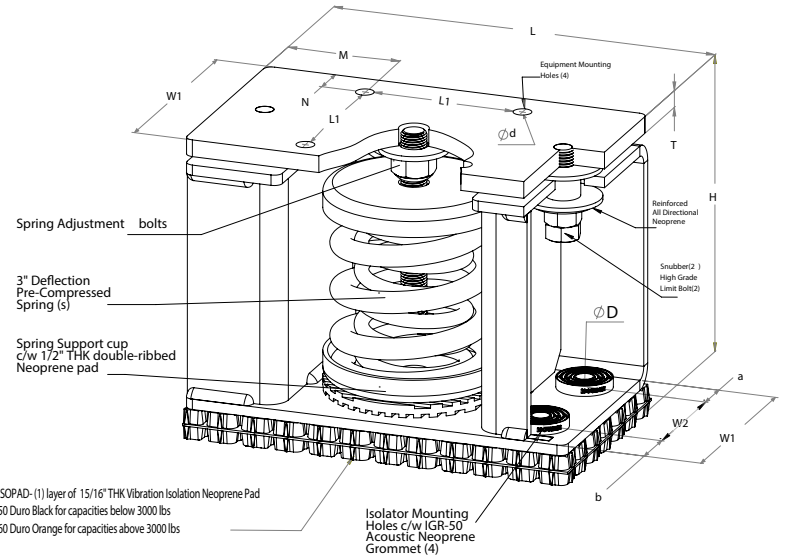


SPECIFICATIONS : ICSN-3R1, 3" DEFLECTION RESTRAINED SPRING ISOLATOR C/W(1)LAYER OF ISOTECH VIBRATION ISOLATION PAD, ISOPAD-24

| Model | Rated Load | | Rated Deflection | | Spring Color | | Approx. WT. | |
|---------------|------------|--------|------------------|------|--------------|--------|-------------|-------|
| | lbf. | kN | in | mm | outer | inner | lbs. | kg |
| ICSN-3R1-100 | 100 | 0.445 | 3.0 | 76.2 | YELLOW | --- | 49.50 | 22.45 |
| ICSN-3R1-200 | 200 | 0.89 | 3.0 | 76.2 | YELLOW | BROWN | 50.00 | 22.68 |
| ICSN-3R1-300 | 300 | 1.335 | 3.0 | 76.2 | GREEN | --- | 49.90 | 22.63 |
| ICSN-3R1-400 | 400 | 1.78 | 3.0 | 76.2 | GREEN | BROWN | 50.40 | 22.86 |
| ICSN-3R1-500 | 500 | 2.225 | 3.0 | 76.2 | BLUE | --- | 50.10 | 22.72 |
| ICSN-3R1-600 | 600 | 2.669 | 3.0 | 76.2 | BLUE | BROWN | 50.50 | 21.55 |
| ICSN-3R1-800 | 800 | 3.559 | 3.0 | 76.2 | WHITE | --- | 50.00 | 22.68 |
| ICSN-3R1-1000 | 1000 | 4.449 | 3.0 | 76.2 | ORANGE | --- | 50.30 | 22.82 |
| ICSN-3R1-1200 | 1200 | 5.338 | 3.0 | 76.2 | ORANGE | BLACK | 50.80 | 23.04 |
| ICSN-3R1-1500 | 1500 | 6.673 | 3.0 | 76.2 | BLACK | --- | 50.80 | 23.04 |
| ICSN-3R1-1800 | 1800 | 8.007 | 3.0 | 76.2 | ORANGE | GREY | 51.00 | 23.13 |
| ICSN-3R1-2000 | 2000 | 8.897 | 3.0 | 76.2 | RED | --- | 50.50 | 22.91 |
| ICSN-3R1-2300 | 2300 | 9.787 | 3.0 | 76.2 | BLACK | GREY | 51.10 | 23.18 |
| ICSN-3R1-2500 | 2500 | 11.121 | 3.0 | 76.2 | GREY | --- | 51.00 | 23.13 |
| ICSN-3R1-2800 | 2800 | 12.455 | 3.0 | 76.2 | GREY | WHITE | 51.80 | 23.50 |
| ICSN-3R1-3000 | 3000 | 13.345 | 3.0 | 76.2 | BROWN | --- | 51.50 | 23.36 |
| ICSN-3R1-3500 | 3500 | 15.569 | 3.0 | 76.2 | BROWN | YELLOW | 52.20 | 23.68 |
| ICSN-3R1-3800 | 3800 | 16.904 | 3.0 | 76.2 | BROWN | GREY | 52.40 | 23.77 |
| ICSN-3R1-4000 | 4000 | 17.793 | 3.0 | 76.2 | BROWN | RED | 52.60 | 23.86 |
| ICSN-3R1-4500 | 4500 | 20.017 | 3.0 | 76.2 | BROWN | BLUE | 55.00 | 24.95 |

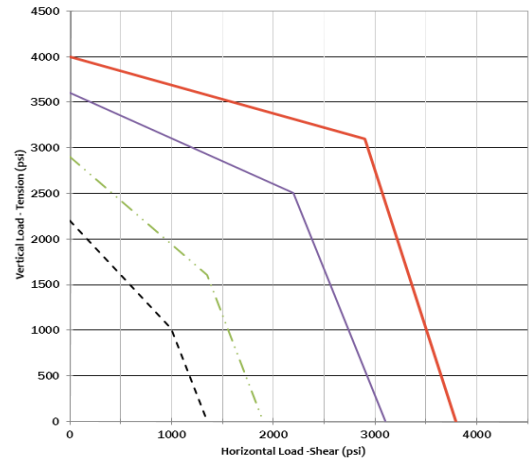


ISOPAD-(1) layer of 15/16" THK Vibration Isolation Neoprene Pad
 50 Duro Black for capacities below 3000 lbs
 60 Duro Orange for capacities above 3000 lbs

* Load Capacity Envelope: Concrete loads are based on 4000 psi reinforced concrete with minimum 6" edge distance and can be considered for non seismic applications only.

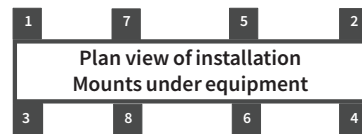
ICSN-3R1-100-4500 LOAD CAPACITY ENVELOPE

- Attached to Steel Structure with (4) 5/8" Bolts(Grade 5) and Nuts
- - Attached to Concrete Structure with (2) 1/2" Hilti KB TZ (2" Embedment) -4" Slab
- - Attached to Concrete Structure with (2) 5/8" Hilti KB TZ 4" Embedment) -6" Slab
- Attached to steel structure with (4) 1/2" Bolts(Grade 5) and Nuts



| Model | | | | | |
|--|-----|--------|-----|--------|-----|
| Dimension : ICSN-3R1-100-4500 WITH (1) LAYER OF ISOTECH VIBRATION ISOLATION PAD, ISOPAD-24 | | | | | |
| L | | W1 | | H | |
| in | mm | in | mm | in | mm |
| 11 1/2 | 293 | 6 5/16 | 167 | 8 7/8 | 226 |
| T | | W2 | | ø D | |
| in | mm | in | mm | in | mm |
| 1/2 | 13 | 3 1/2 | 89 | 1/2 | 13 |
| ø d | | M | | N | |
| in | mm | in | mm | in | mm |
| 5/16 | 15 | 3 3/8 | 86 | 1 1/16 | 27 |
| a | | b | | a | |
| in | mm | in | mm | in | mm |
| 1 1/16 | 44 | 1 3/8 | 36 | 4 3/4 | 121 |
| SPRING ADJUSTMENT BOLT | | | | | |
| 3/4" | | | | | |

| ISOLATOR'S LOCATIONS | |
|----------------------|----|
| 1: | 5: |
| 2: | 6: |
| 3: | 7: |
| 4: | 8: |



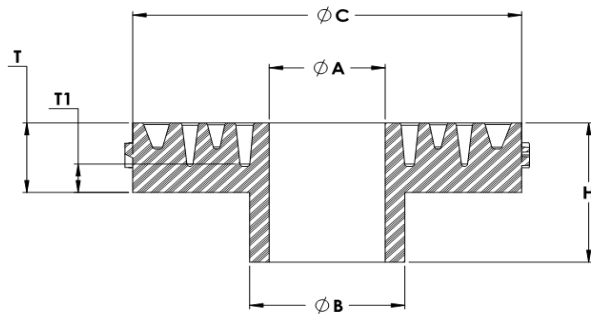
Notes:

- ICSN-3R1-100-4500 Isolators are all Pre-Compressed to allow the lowest overall installation height and to offer significant labor saving during installation
- All springs have additional travel to solid equal to 50% of the Rated Deflection with minimum Kx/Ky ratio of 1.0 - All Elements are safe at solid load
- Spring(s) are powder - coated to provide maximum corrosion resistance , and are color-coded for easy identification at site - see table above
- Hot-Dip Galvanized finish for Housing to offer maximum corrosion resistance for isolator - Hardware and Spring Compression Cup are zinc -electroplated
- ICSN-3R1-100-4500 isolators are designed to allow replacement of Neoprene grommet without disturbing equipment. Neoprene grommet are installed to prevent metal to metal contact
- Same Thickness and dimensions of isolator top plate, must be installed on top of isolator, when less than 80% of isolator's top plate is covered.

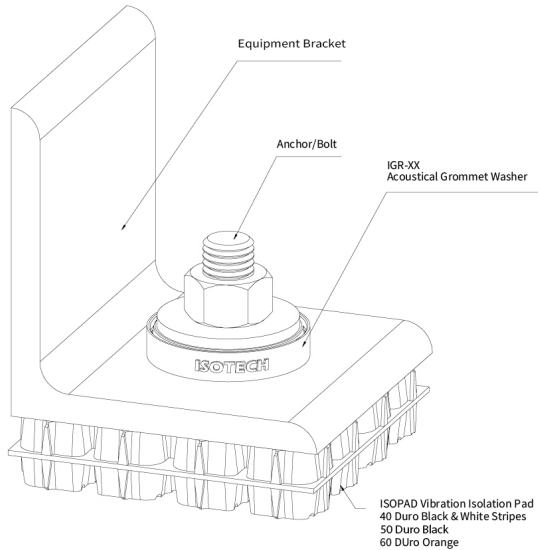
| PROJECT INFORMATION | | EQUIPMENT INFORMATION | | Canada location | USA Location |
|---------------------|--|-----------------------|--|--|---|
| Customer: | | Type: | | 35 Siltan Road Woodbridge ON L4L 7Z8 CANADA T: 905-856-5001 | 3021 E Coronado St. Anaheim, CA, 92806 U.S.A T: 949-788-2930 |
| Project: | | Qty Required: | | | |
| Drawing No: | | Operating Weight: | | | |
| Notes: | | | | Tool free : 1-888-831-3311 www.isotechindustries.com | |

SPECIFICATIONS : ACOUSTICAL GROMMET WASHER IGR-XX

| Model | øA | | øB | | øC | | H | | T | | T1 | |
|--------|-----|----|-----|----|-------|----|-----|----|------|----|------|----|
| | in | mm | in | mm | in | mm | in | mm | in | mm | in | mm |
| IGR-38 | 3/8 | 10 | 1/2 | 13 | 1 1/4 | 32 | 1/2 | 13 | 1/4 | 7 | 1/8 | 4 |
| IGR-50 | 1/2 | 13 | 3/4 | 20 | 1 5/8 | 42 | 5/8 | 16 | 5/16 | 8 | 3/16 | 5 |
| IGR-63 | 5/8 | 16 | 7/8 | 23 | 2 | 51 | 3/4 | 20 | 3/8 | 10 | 3/16 | 5 |

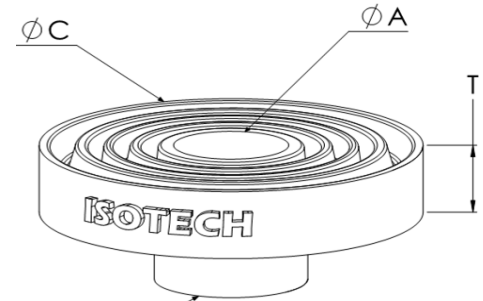


IGR - XX Section View

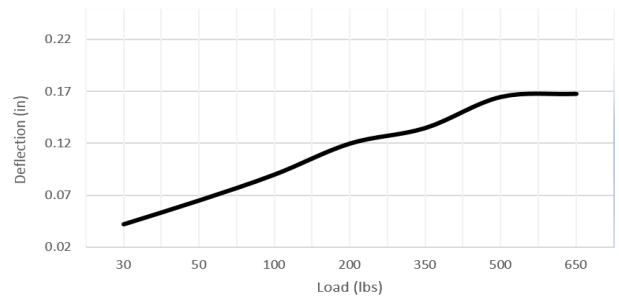


Notes:

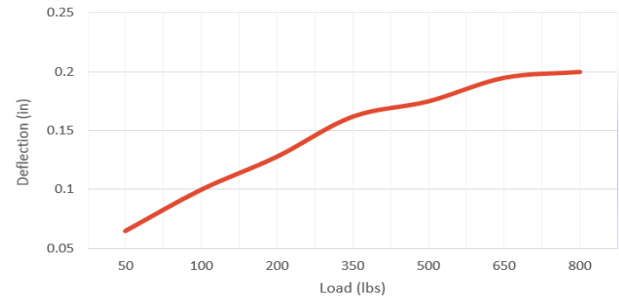
- Application of grooves and thicker material offers significant improvements on isolation efficiency of the system
- IGR Acoustical Grommet is available on 50 & 60 Duro Neoprene Material
- IGR Acoustical Grommet neoprene material is per ASTM D2000 Standards
- Anchor or bolt size to match øA dimension
- Deflection-Load graphs are based on 60 Duro Neoprene Material



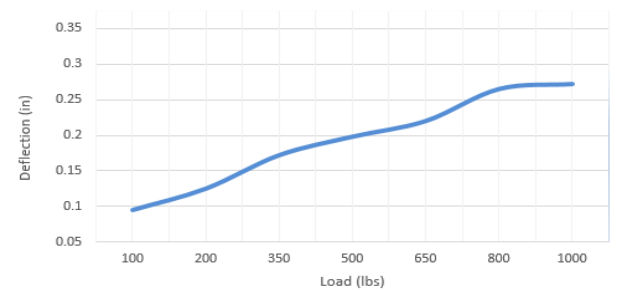
IGR-38



IGR-50



IGR-63



| PROJECT INFORMATION | | EQUIPMENT INFORMATION | | Canada location | USA Location |
|---------------------|--|-----------------------|--|--|---|
| Customer: | | Type: | | 35 Silton Road Woodbridge ON L4L 7Z8 CANADA T: 905-856-5001 | 3021 E Coronado St. Anaheim, CA.,92806 U.S.A T: 949-788-2930 |
| Project: | | Qty Required: | | | |
| Drawing No: | | Operating Weight: | | | |
| Notes: | | | | Tool free : 1-888-831-3311 www.isotechindustries.com | |



ISOPAD-24 ISOTECH VIBRATION ISOLATION PAD

File No. : ISOPAD-24

Date: 03/29/22

ISOIN-ISOPAD-24, Installation Instructions document, to be Reviewed for Installation

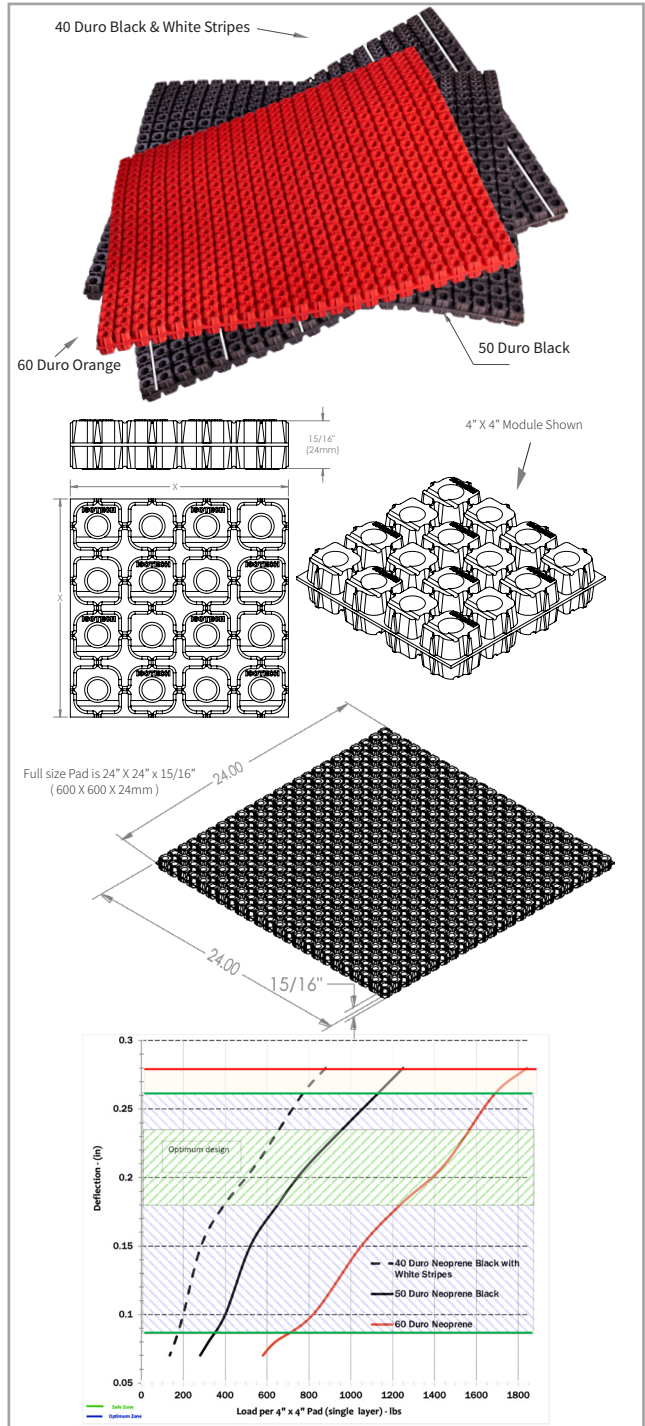
| ISOPAD 40 Duro Black with White Stripes | | | | | | | | |
|---|-----|--------------|-----------------|--------------|--------------|-------|-------------|------|
| ISOPAD-X-40 | x | | Load range | | Optimum load | | Approx. WT. | |
| | in | mm | lbf. | kN | lbf. | kN | lbs. | kg |
| | 2.0 | 50 | 40 - 180 | 0.176 - 0.79 | 120 | 0.53 | 0.09 | 0.05 |
| 3.0 | 75 | 90 - 405 | 0.396 - 1.78 | 270 | 1.20 | 0.21 | 0.1 | |
| 4.0 | 100 | 160 - 720 | 0.704 - 3.17 | 480 | 2.14 | 0.38 | 0.18 | |
| 6.0 | 150 | 360 - 1620 | 1.584 - 7.13 | 1080 | 4.81 | 0.84 | 0.39 | |
| 9.0 | 225 | 810 - 3645 | 3.564 - 16.04 | 2430 | 10.81 | 1.93 | 0.88 | |
| 12.0 | 300 | 1440 - 6480 | 6.336 - 28.51 | 4320 | 19.22 | 3.38 | 1.54 | |
| 18.0 | 450 | 3240 - 14580 | 14.256 - 64.15 | 9720 | 43.24 | 3.38 | 1.54 | |
| 24.0 | 600 | 5760 - 25920 | 25.344 - 114.05 | 17280 | 76.87 | 13.50 | 6.13 | |

| ISOPAD 50 Duro Black | | | | | | | | |
|----------------------|-----|---------------|-----------------|--------------|--------------|-------|-------------|------|
| ISOPAD-X-50 | X | | Load range | | Optimum load | | Approx. WT. | |
| | in | mm | lbf. | kN | lbf. | kN | lbs. | kg |
| | 2.0 | 50 | 80 - 280 | 0.352 - 1.23 | 180 | 0.80 | 0.10 | 0.05 |
| 3.0 | 75 | 180 - 630 | 0.792 - 2.77 | 405 | 1.80 | 0.23 | 0.11 | |
| 4.0 | 100 | 320 - 1120 | 1.408 - 4.93 | 720 | 3.20 | 0.40 | 0.19 | |
| 6.0 | 150 | 720 - 2520 | 3.168 - 11.09 | 1620 | 7.21 | 0.91 | 0.42 | |
| 9.0 | 225 | 1620 - 5670 | 7.128 - 24.95 | 3645 | 16.21 | 2.07 | 0.94 | |
| 12.0 | 300 | 2880 - 10080 | 12.672 - 44.35 | 6480 | 28.83 | 3.63 | 1.65 | |
| 18.0 | 450 | 6480 - 22680 | 28.512 - 99.79 | 14580 | 64.86 | 3.63 | 1.65 | |
| 24.0 | 600 | 11520 - 40320 | 50.688 - 177.41 | 25920 | 115.30 | 14.50 | 6.58 | |

| ISOPAD 60 Duro Orange | | | | | | | | |
|-----------------------|-----|---------------|------------------|--------------|--------------|-------|-------------|------|
| ISOPAD-X-60 | X | | Load range | | Optimum load | | Approx. WT. | |
| | in | mm | lbf. | kN | lbf. | kN | lbs. | kg |
| | 2.0 | 50 | 160 - 420 | 0.704 - 1.85 | 320 | 1.42 | 0.11 | 0.05 |
| 3.0 | 75 | 360 - 945 | 1.584 - 4.16 | 720 | 3.20 | 0.24 | 0.11 | |
| 4.0 | 100 | 640 - 1680 | 2.816 - 7.39 | 1280 | 5.69 | 0.43 | 0.2 | |
| 6.0 | 150 | 1440 - 3780 | 6.336 - 16.63 | 2880 | 12.81 | 0.97 | 0.44 | |
| 9.0 | 225 | 3240 - 8505 | 14.256 - 37.42 | 6480 | 28.83 | 2.21 | 1.01 | |
| 12.0 | 300 | 5760 - 15120 | 25.344 - 66.53 | 11520 | 51.24 | 3.88 | 1.76 | |
| 18.0 | 450 | 12960 - 34020 | 57.024 - 149.69 | 25920 | 115.30 | 8.61 | 3.91 | |
| 24.0 | 600 | 23040 - 60480 | 101.376 - 266.11 | 46080 | 204.97 | 15.50 | 7.04 | |

| Thickness | | Deflection Range | | Optimum Deflection | |
|-----------|------|------------------|------------|--------------------|-----|
| in | mm | in | mm | in | mm |
| 15/16 | 24.0 | 0.08 To 0.26 | 2.0 to 6.4 | 0.21 | 5.3 |

- Notes:**
- Full size pad is 24"x 24" x 15/16" (600 x 600 x 24mm) - a total of 144 - 2" modules
 - Pad is designed to have thin web between modules that allows quick and easy cut with utility knife on site.
 - 24" x 24" pad size offers minimum waste on site and provides evenly dimensioned pads such as 2" x 2" (50 x 50mm), 2" x 4" (50 x 100mm), 4" x 4" (100 x 100mm)
 - Pads are made of high quality AASHTO Bridge-Bearing Neoprene material for maximum Life service, excellent oil resistance and vibration isolation performance.
 - ISOPAD-24 is available in 40 Duro- Color coded Black with White stripes - 50 Duro Black and 60 Duro Orange. Review table and graph for safe design and performance
 - Pads can be stacked with 16 ga (1.5mm) Galvanized sheet metal to increase deflection and isolation efficiency. When two layers are laminated, they can provide double the deflection under the same load as shown in table and graph.



Mark this Box if distribution plate is required. Product code ISOPAD-XM

| PROJECT INFORMATION | | EQUIPMENT INFORMATION | | Canada location | USA Location |
|---------------------|--|-----------------------|--|--|---|
| Customer: | | Type: | | 35 Silton Road Woodbridge ON L4L 7Z8 CANADA T: 905-856-5001 | 3021 E Coronado St. Anaheim, CA, 92806 U.S.A T: 949-788-2930 |
| Project: | | Qty Required: | | | |
| Drawing No: | | Operating Weight: | | | |
| Notes: | | | | | |



Tool free : 1-888-831-3311
www.isotechindustries.com