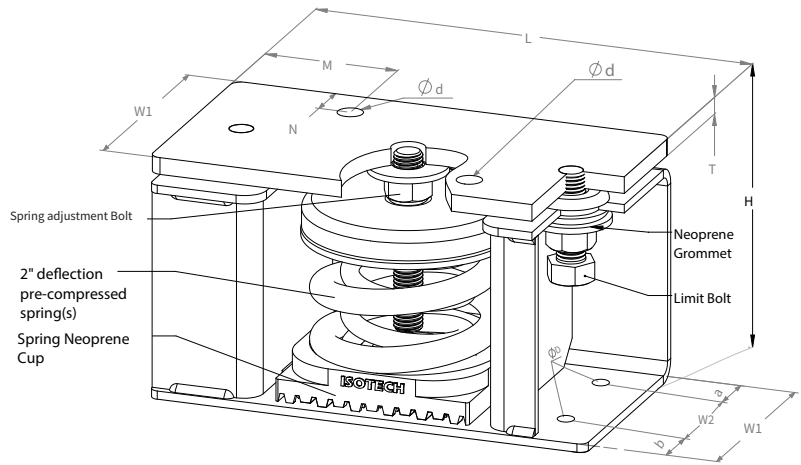


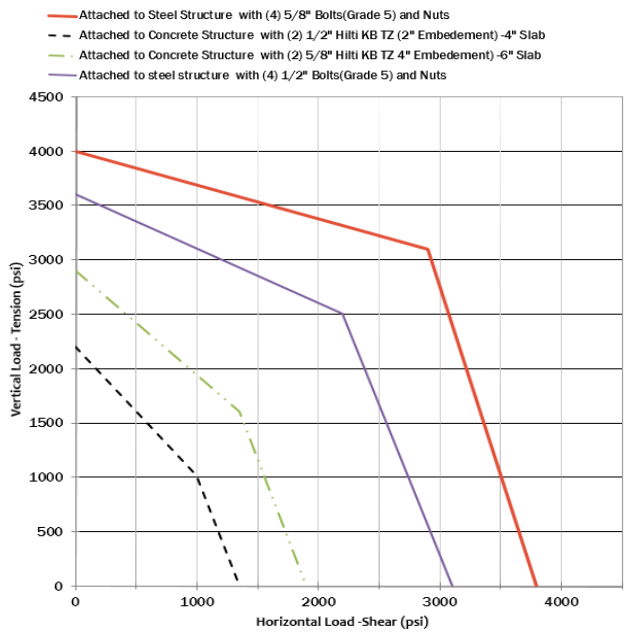
SPECIFICATIONS : ICSN-2" DEFLECTION ISOTECH COOLING TOWER/CHILLER NON-SEISMIC RESTRAINED SPRING

Model	Rated Load		Rated Deflection		Spring Color		Approx. WT.	
	lbf.	kN	in	mm	outer	inner	lbs.	kg
ICSN-2-100	100	0.445	2.0	50.8	RED	---	20.50	9.30
ICSN-2-200	200	0.89	2.0	50.8	RED	GREY	20.90	9.50
ICSN-2-300	300	1.335	2.0	50.8	RED	ORANGE	20.90	9.50
ICSN-2-400	400	1.78	2.0	50.8	RED	YELLOW	20.90	9.50
ICSN-2-500	500	2.225	2.0	50.8	RED	GREEN	21.00	9.53
ICSN-2-600	600	2.669	2.0	50.8	BROWN	GREY	21.10	9.60
ICSN-2-800	800	3.559	2.0	50.8	BLUE	---	21.10	9.60
ICSN-2-1000	1000	4.449	2.0	50.8	GREEN	---	21.10	9.60
ICSN-2-1200	1200	5.338	2.0	50.8	GREEN	ORANGE	21.10	9.60
ICSN-2-1500	1500	6.673	2.0	50.8	GREY	---	21.10	9.60
ICSN-2-1800	1800	8.007	2.0	50.8	GREY	YELLOW	21.20	9.62
ICSN-2-2000	2000	8.897	2.0	50.8	GREY	WHITE	21.30	9.66
ICSN-2-2300	2300	9.787	2.0	50.8	GREY	RED	21.40	9.70
ICSN-2-2500	2500	11.121	2.0	50.8	ORANGE	---	21.40	9.70
ICSN-2-2800	2800	12.455	2.0	50.8	ORANGE	YELLOW	21.50	9.75
ICSN-2-3000	3000	13.345	2.0	50.8	BLACK	---	21.60	9.80
ICSN-2-3500	3500	15.569	2.0	50.8	BLACK	WHITE	22.00	10.00
ICSN-2-3800	3800	16.904	2.0	50.8	BLACK	RED	22.30	10.12
ICSN-2-4000	4000	17.793	2.0	50.8	BLACK	BLUE	22.50	10.20
ICSN-2-4500	4500	20.017	2.0	50.8	BLACK	BROWN	23.00	10.43

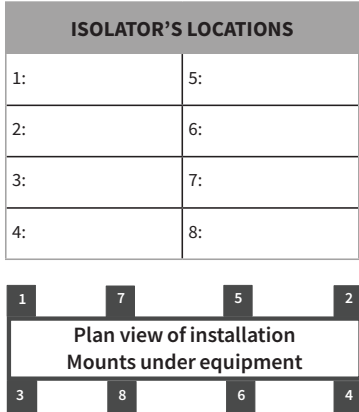


* Load Capacity Envelope: Concrete loads are based on 4000 psi reinforced concrete with minimum 6" edge distance and can be considered for non seismic applications only.

ICSN-2-100-4500 LOAD CAPACITY ENVELOPE




Model						
Dimension : ICSN-2-100-4500						
L		W1		H		
in	mm	in	mm	in	mm	
9 7/8	251	5 1/8	131	5 5/16	138	
T		W2		Ø D		
in	mm	in	mm	in	mm	
3/8	10	2 1/2	64	3/8	16	
Ød		M		N		
in	mm	in	mm	in	mm	
3/16	15	3.0	77	1.0	26	
a		b		SPRING BOLT ADJUSTMENT		
in	mm	in	mm	%		
1 1/2	39	1.1	28	5/8"		



Notes:

- ICSN-2-100-4500 isolators are all Pre-Compressed to allow the lowest overall installation height and to offer significant labor saving during installation
- All springs have additional travel to solid equal to 50% of the Rated Deflection with minimum Kx/Ky ratio of 1.0 - All Elements are safe at solid load
- Spring(s) are powder - coated to provide maximum corrosion resistance , and are color-coded for easy identification at site - see table above
- Hot-Dip Galvanized finish for Housing to offer maximum corrosion resistance for isolator - Hardware and Spring Compression Cup are zinc - electroplated
- ICSN-2-100-4500 isolators are designed to allow replacement of Neoprene grommet without disturbing equipment. Neoprene grommet are installed to prevent metal to metal contact
- Same thickness plate, with the same dimensions of isolator top plate, must be installed on top of isolator, when less than 80% of isolator's top plate is covered

PROJECT INFORMATION		EQUIPMENT INFORMATION		Canada location	USA Location
Customer:		Type:		35 Siltan Road Woodbridge ON L4L 7Z8 CANADA T: 905-856-5001	3021 E Coronado St. Anaheim, CA.,92806 U.S.A T: 949-788-2930
Project:		Qty Required:		 Tool free : 1-888-831-3311 www.isotechindustries.com	
Drawing No:		Operating Weight:			
Notes:					