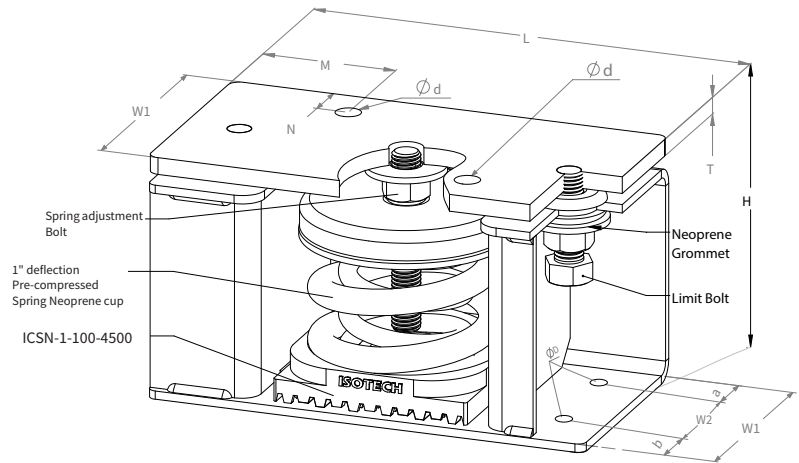


SPECIFICATIONS : ICSN-1" DEFLECTION ISOTECH COOLING TOWER/CHILLER NON-SEISMIC RESTRAINED SPRING

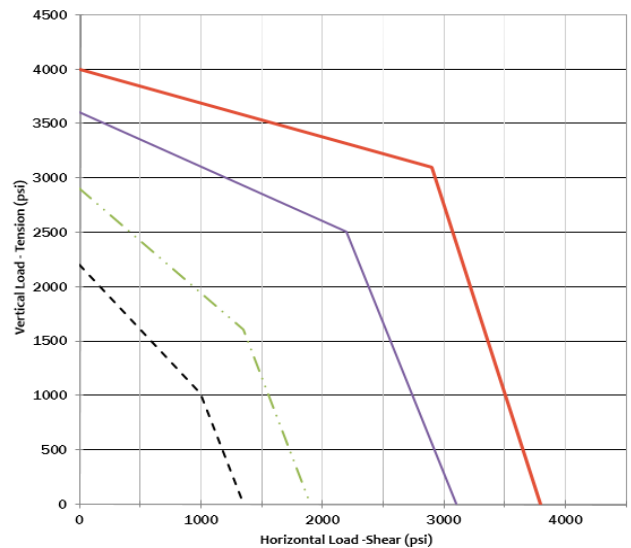
Model	Rated Load		Rated Deflection		Spring Color		Approx. WT.	
	lbF.	kN	in	mm	outer	inner	lbs.	kg
ICSN-1-100	100	0.445	2.0	50.8	RED	---	20.50	9.30
ICSN-1-200	200	0.89	2.0	50.8	RED	GREY	20.90	9.50
ICSN-1-300	300	1.335	2.0	50.8	RED	ORANGE	20.90	9.50
ICSN-1-400	400	1.78	2.0	50.8	RED	YELLOW	20.90	9.50
ICSN-1-500	500	2.225	2.0	50.8	RED	GREEN	21.00	9.53
ICSN-1-600	600	2.669	2.0	50.8	BROWN	GREY	21.10	9.60
ICSN-1-800	800	3.559	2.0	50.8	BLUE	---	21.10	9.60
ICSN-1-1000	1000	4.449	2.0	50.8	GREEN	---	21.10	9.60
ICSN-1-1200	1200	5.338	2.0	50.8	GREEN	ORANGE	21.10	9.60
ICSN-1-1500	1500	6.673	2.0	50.8	GREY	---	21.10	9.60
ICSN-1-1800	1800	8.007	2.0	50.8	GREY	YELLOW	21.20	9.62
ICSN-1-2000	2000	8.897	2.0	50.8	GREY	WHITE	21.30	9.66
ICSN-1-2300	2300	9.787	2.0	50.8	GREY	RED	21.40	9.70
ICSN-1-2500	2500	11.121	2.0	50.8	ORANGE	---	21.40	9.70
ICSN-1-2800	2800	12.455	2.0	50.8	ORANGE	YELLOW	21.50	9.75
ICSN-1-3000	3000	13.345	2.0	50.8	BLACK	---	21.60	9.80
ICSN-1-3500	3500	15.569	2.0	50.8	BLACK	WHITE	22.00	10.00
ICSN-1-3800	3800	16.904	2.0	50.8	BLACK	RED	22.30	10.12
ICSN-1-4000	4000	17.793	2.0	50.8	BLACK	BLUE	22.50	10.20
ICSN-1-4500	4500	20.017	2.0	50.8	BLACK	BROWN	23.00	10.43



* Load Capacity Envelope: Concrete loads are based on 4000 psi reinforced concrete with minimum 6" edge distance and can be considered for non seismic applications only.

ICSN-1-100-4500 LOAD CAPACITY ENVELOPE

- Attached to Steel Structure with (4) 5/8" Bolts(Grade 5) and Nuts
- - Attached to Concrete Structure with (2) 1/2" Hilti KB TZ (2" Embedment)-4" Slab
- Attached to Concrete Structure with (2) 5/8" Hilti KB TZ 4" Embedment)-6" Slab
- Attached to steel structure with (4) 1/2" Bolts(Grade 5) and Nuts



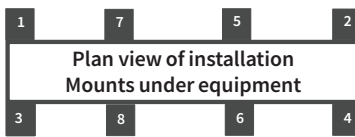
Model

Dimension : ICSN-1-100-4500

L		W1		H	
in	mm	in	mm	in	mm
9 7/8	251	5 1/8	131	5 7/16	138
T		W2		ØD	
in	mm	in	mm	in	mm
3/8	10	2 1/2	64	5/8	16
Ød		M		N	
in	mm	in	mm	in	mm
3/16	15	3.0	77	1.0	26
a		b		SPRING BOLT ADJUSTMENT	
in	mm	in	mm		
1 1/2	39	1.1	28	3/8"	


ISOLATOR'S LOCATIONS

1:	5:
2:	6:
3:	7:
4:	8:



Notes:

- ICSN-1-100-4500 isolators are all Pre-Compressed to allow the lowest overall installation height and to offer significant labor saving during installation
- All springs have additional travel to solid equal to 50% of the Rated Deflection with minimum Kx/Ky ratio of 1.0 - All Elements are safe at solid load
- Spring(s) are powder - coated to provide maximum corrosion resistance , and are color-coded for easy identification at site - see table above
- Hot-Dip Galvanized finish for Housing to offer maximum corrosion resistance for isolator - Hardware and Spring Compression Cup are zinc -electroplated
- ICSN-1-100-4500 isolators are designed to allow replacement of Neoprene grommet without disturbing equipment. Neoprene grommet are installed to prevent metal to metal contact
- Same Thickness and dimensions of isolator top plate, must be installed on top of isolator, when less than 80% of isolator's top plate is covered.

PROJECT INFORMATION		EQUIPMENT INFORMATION		Canada location	USA Location
Customer:		Type:		35 Siltan Road Woodbridge ON L4L 7Z8 CANADA T: 905-856-5001	3021 E Coronado St. Anaheim, CA.,92806 U.S.A T: 949-788-2930
Project:		Qty Required:		 Tool free : 1-888-831-3311 www.isotechindustries.com	
Drawing No:		Operating Weight:			
Notes:					