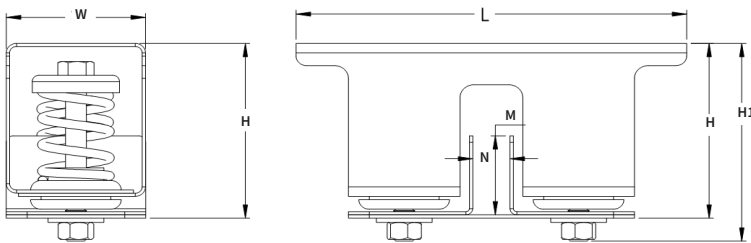
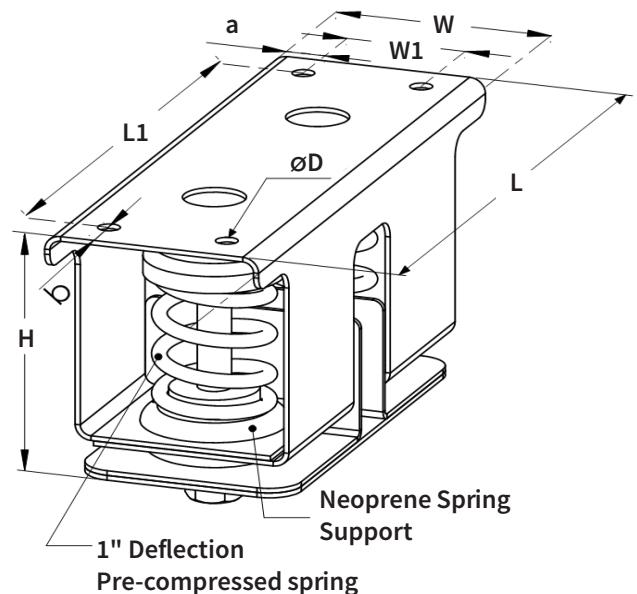
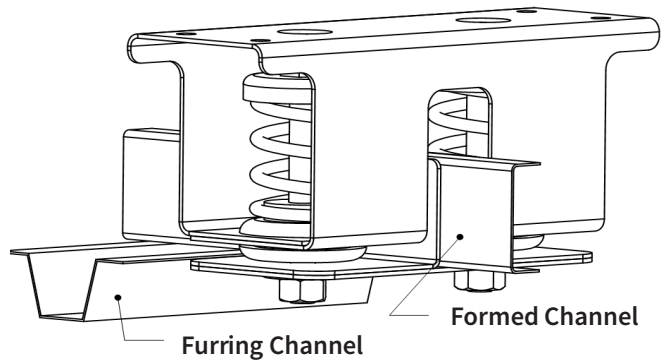
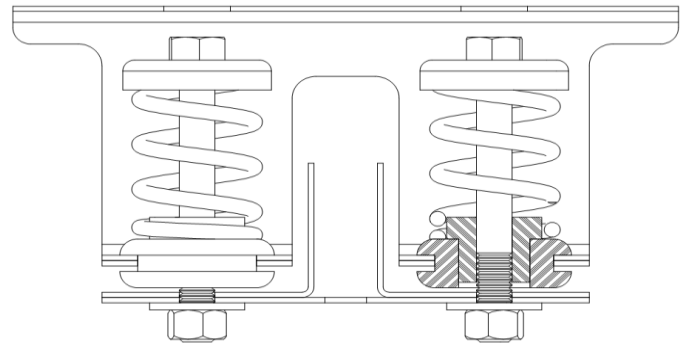


SPECIFICATIONS : ICCH-1" DEFLECTION DECK SUSPENDED PRE-COMPRESSED COMPACT CEILING HANGER WITH IN-LINE NEOPRENE SPRING CUP

Model	Rated Load		Rated Deflection		Spring Color	Approx. WT.	
	lbF.	kN	in	mm	outer	lbs.	kg
ICCH-1-30	30	0.13	1.0	25.4	GREY	2.55	1.16
ICCH-1-60	60	0.27	1.0	25.4	BLACK	2.55	1.16
ICCH-1-100	100	0.45	1.0	25.4	RED	2.60	1.18
ICCH-1-150	150	0.67	1.0	25.4	WHITE	2.65	1.21
ICCH-1-200	200	0.89	1.0	25.4	YELLOW	2.70	1.23
ICCH-1-250	250	1.1	1.0	25.4	BLUE	2.70	1.23
ICCH-1-300	300	1.34	1.0	25.4	ORANGE	2.75	1.25
ICCH-1-400	400	1.78	1.0	50.8	BROWN	2.75	1.25

Dimension : ICCH-1" DEFLECTION DECK SUSPENDED PRE-COMPRESSED COMPACT CEILING HANGER WITH IN-LINE NEOPRENE SPRING CUP

Model	L		W		H		L1		W1	
	in	mm	in	mm	in	mm	in	mm	in	mm
ICCH-1-30-400	7	178	2 1/2	64	3 1/16	87	6	153	1 3/8	35
	M		N		øD		H1			
	in	mm	in	mm	in	mm	in	mm		
	1 1/16	40	1 1/16	18	1/4	7	3/8	99		
	a		b		Spring Adjustment Bolt					
in	mm	in	mm							
9/16	15	0.5	13			3/8"				



Notes:

- Spring and Housing are powder-coated to provide maximum corrosion resistance
- Springs are color coded
- All springs have additional travel to solid equal to 50% of the Rated Deflection with
- Minimum Kx/Ky ratio of 0.8 - All Elements are safe at solid load
- Spring is supported by Neoprene cup to provide maximum efficiency on vibration

PROJECT INFORMATION		EQUIPMENT INFORMATION		Canada location	USA Location
Customer:		Type:		35 Siltan Road Woodbridge ON L4L 7Z8 CANADA T: 905-856-5001	3021 E Coronado St. Anaheim, CA.,92806 U.S.A T: 949-788-2930
Project:		Qty Required:			
Drawing No:		Operating Weight:			
Notes:				Tool free : 1-888-831-3311 www.isotechindustries.com	

