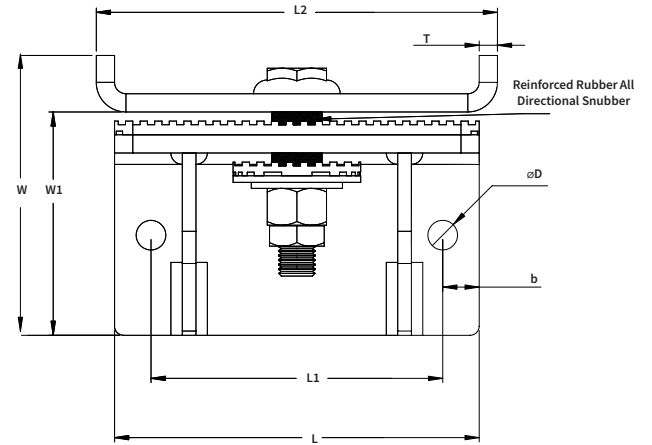
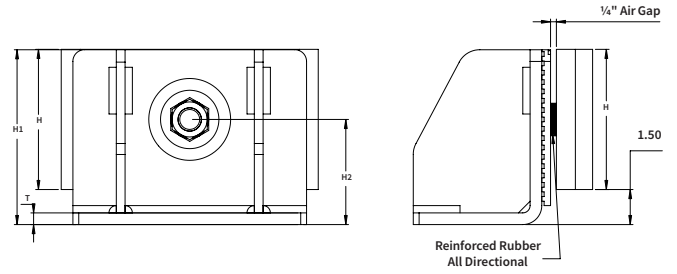
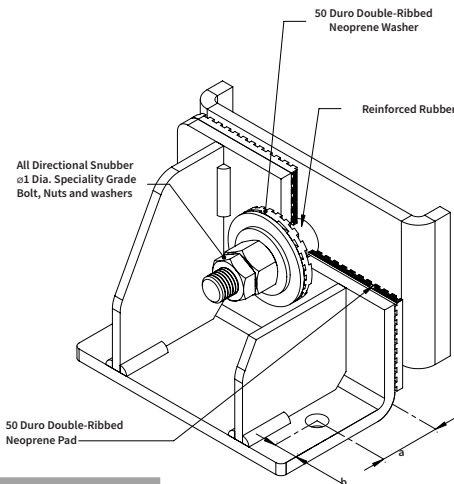


SPECIFICATIONS : IBSS ALL DIRECTIONAL SEISMIC SNUBBER

Model	L		L1		L2		T		ø D		Approx. WT.	
	in	mm	in	mm	in	mm	in	mm	in	mm	lbs.	Kg
IBSS-4000	10	245	8	204	11	208	1/2	13	1 3/16	21	50	22.7

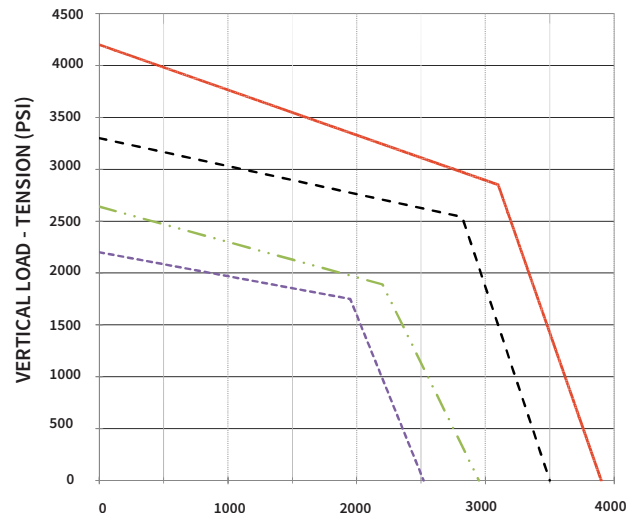
Dimension : IBSS ALL DIRECTIONAL SEISMIC SNUBBER

Model	W		W1		H		H1		H2		a		b	
	in	mm	in	mm	in	mm	in	mm	in	mm	in	mm	in	mm
IBSS-4000	7 7/8	194	6 1/8	156	6	153	7 1/2	191	4	102	2 3/4	70	1	25



IBSS - 4000 Load Capacity Envelope

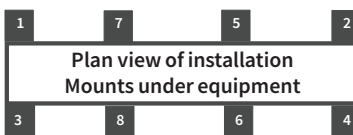
- Attached to Steel Structure with (2) 3/8" Bolts (Grade 5) and Nuts
- - - Attached to Concrete Structure with (2) 3/8" B7 Hilti HY-200 (4" Embedment)- 6" slab
- Attached to Concrete Structure with (2) 3/8" B7 Hilti KB TZ (4" Embedment)- 6" slab
- - - Attached to Steel Structure with (2) 1/2" Hilti KB TZ (3 - 1/4" Embedment)- 4" slab



* Anchor capacity is based on 4000 psi reinforce concrete(cracked concrete) with minimum 6" edge distance. Hilti anchors- Type HY200 & KBTZ - were considered for all calculations. Detailed calculations must be performed if different anchors are used.

ISOLATOR'S LOCATIONS

1:	5:
2:	6:
3:	7:
4:	8:



Notes:

- IBSS Seismic snubbers are made of high yield/strength steel material and are designed for Minimum 1 g lateral force
- IBSS Seismic snubbers are zinc plated for corrosion resistance
- Seismic Load calculation must be performed to ensure proper selection of product. Anchor type, embedment, edge distance and anchor size have direct effect on snubber capacity

PROJECT INFORMATION		EQUIPMENT INFORMATION		Canada location	USA Location
Customer:		Type:		35 Silton Road Woodbridge ON L4L 7Z8 CANADA T: 905-856-5001	3021 E Coronado St. Anaheim, CA, 92806 U.S.A T: 949-788-2930
Project:		Qty Required:			
Drawing No:		Operating Weight:			
Notes:				Tool free : 1-888-831-3311 www.isotechindustries.com	

