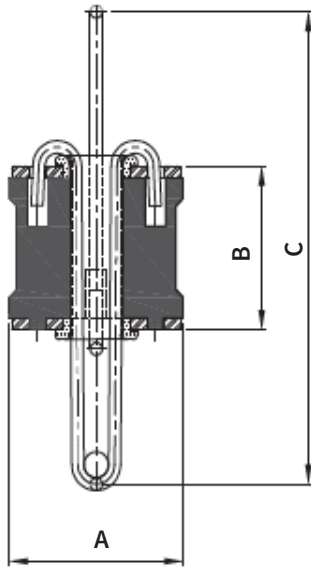


NEOPRENE CEILING RUBBER HANGER (5MM DEFLECTION AT RATED LOAD)											
Model	RATED LOAD		DIMENSIONS						HARDWARE COLOR	APPROX. WT.	
	Lb.	Kgf.	A		B		C			Lb.	Kg
			In	mm	In	mm	In	mm			
IRH-50-110	50 - 110	22 - 50	1 3/4	35	1 1/4	32	3 5/8	92	SILVER	0.14	0.06
IRH-120-160	120 - 160	53 - 72							GOLD		

Notes:


- IRH neoprene ceiling rubber hangers provide vibration isolation for ceiling grids and decouples ceiling system from building structure. IRH hangers are designed to provide 5.0 mm static deflection under the rated load and included connection wires at top and bottom for quick and easy installation
- Natural frequency of IRH hanger under the rated load is 7Hz.



IRH-50-110
SILVER



IRH-120-160
GOLD

PROJECT INFORMATION		EQUIPMENT INFORMATION		Canada location	USA Location	
Customer:		Type:		35 Silton Road Woodbridge ON L4L 7Z8 CANADA T: 905-856-5001	7700 Irvine Centre Drive Suite 800 Irvine, CA, 92618 U.S.A T: 949-788-2930	
Project:		Qty Required:				
Drawing No:		Operating Weight:				
Notes:						
				www.isotechindustries.com		