

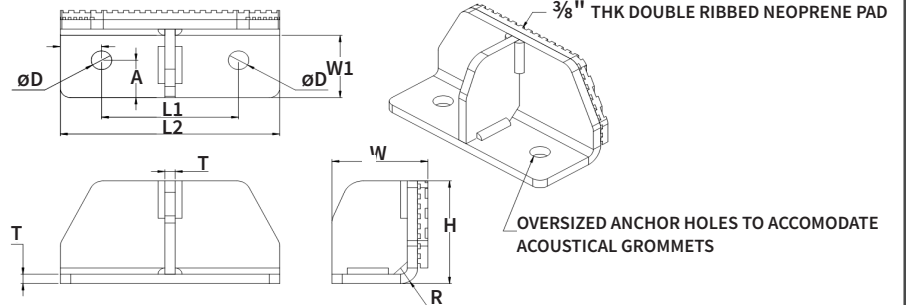
Dimension	SPECIFICATIONS- SEISMIC SNUBBER											
	MAX LATERAL LOAD ALLOWED-WITHOUT NEOPRENE PADS UNDER SNUBBER		MAX LATERAL LOAD ALLOWED-WITH NEOPRENE PADS UNDER SNUBBER		øD		T		L2		APPROXIMATE WEIGHT	
	Lbs.	Kg	Lbs.	Kg	in	mm	in	mm	in	mm	Lbs.	Kg
ISS-500-1000	1250	567	1000	454	3/4	20	3/8	10	8	204	6.75	3.1
ISS-100-450	550	2.447	450	205	5/8	16	3/8	10	6 3/4	172	5.5	2.5

MODEL: ISS-500-1000										
Model	L1		W		H		R		A	
	in	mm	in	mm	in	mm	in	mm	in	mm
ISS-500-1000	5	127	3 1/2	89	4 1/8	105	5/8	16	1 1/2	39
ISS-100-450	4 1/2	115	3	77	3 5/8	93	5/8	16	1 1/8	29

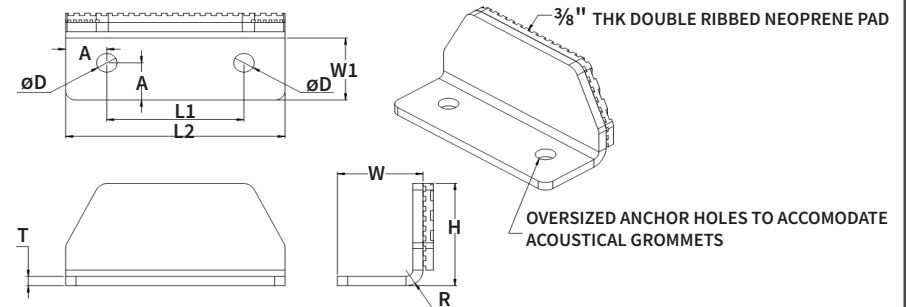
Notes:

- Seismic Snubbers are made of high yield/strength steel material and are designed for 1 g lateral force
- Seismic Snubbers have powder-coat finish to provide maximum corrosion resistance
- Seismic Load calculation must be performed to ensure proper selection of product

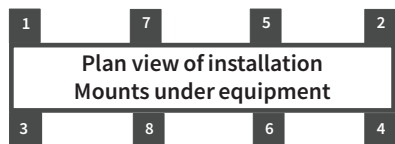
ISS-500-1000




ISS-100-450



ISOLATOR LOCATIONS	
1:	5:
2:	6:
3:	7:
4:	8:



PROJECT INFORMATION		EQUIPMENT INFORMATION		Canada location	USA Location	
Customer:		Type:		35 Silton Road Woodbridge ON L4L 7Z8 CANADA T: 905-856-5001	7700 Irvine Centre Drive Suite 800 Irvine, CA, 92618 U.S.A T: 949-788-2930	
Project:		Qty Required:				
Drawing No:		Operating Weight:				
Notes:				www.isotechindustries.com		